

E-Power Pump

HIGH PERFORMANCE & HEAVY DUTY
For residential and semi-commercial pools



 **Emaux**
water technology



RoHS
COMPLIANT
2002/95/EC



SAA

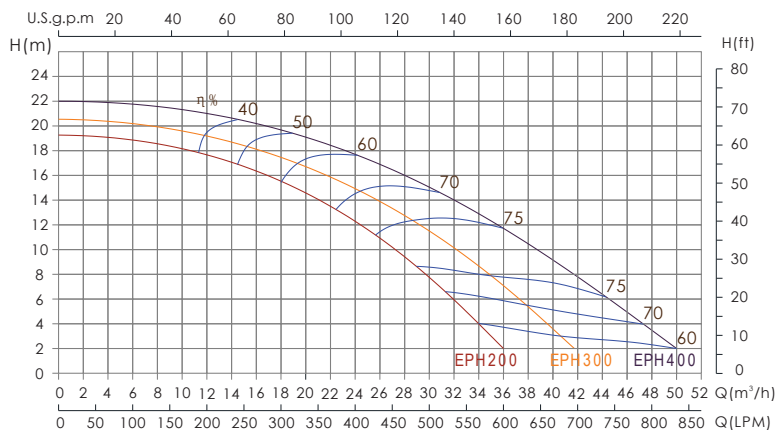
Pool & Spa Equipment

SIGNATURE COLLECTION

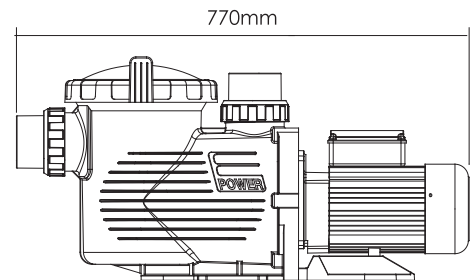
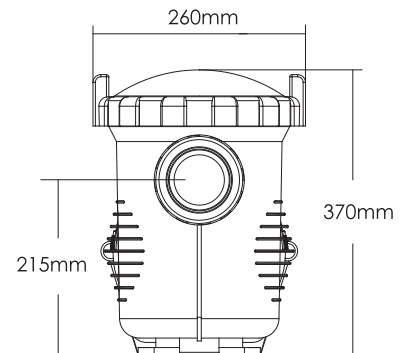
A High-Performing Self-Priming Pump



Technical Information



Product Dimensions



| Model 50Hz | Input (kW) | Current (AMP) | Noise (dB) | Head (m) | | | | | |
|---------------|---------------|------------------|---------------|----------|----|----|----|----|----|
| | | | | 6 | 8 | 10 | 12 | 14 | 16 |
| EPH200 | 1.8 | 8.2 | 68 | 32 | 30 | 27 | 24 | 21 | 17 |
| EPH300 | 2.2 | 10.0 | 69 | 37 | 35 | 32 | 29 | 26 | 22 |
| EPH400 | 2.8 | 12.5 | 71 | 45 | 42 | 39 | 36 | 32 | 28 |

| Code 220V/50Hz | Code 220V/60Hz | Code 380V/50Hz | Model | Connection Size | Horsepower | Weight (kg) |
|-------------------|-------------------|-------------------|--------|-----------------------|------------|-------------|
| 88020708 | 88021008 | 88020808 | EPH200 | 2" / 63mm 2.5" / 75mm | 2.0hp | 23.0 |
| 88020709 | 88021009 | 88020809 | EPH300 | 2" / 63mm 2.5" / 75mm | 3.0hp | 24.0 |
| 88020718 | 88021018 | 88020818 | EPH400 | 2" / 63mm 2.5" / 75mm | 4.0hp | 25.0 |