

# TP, TPD, TPE, TPED, TPE2, TPE2 D, TPE3, TPE3 D

In-line circulator pumps

50 Hz

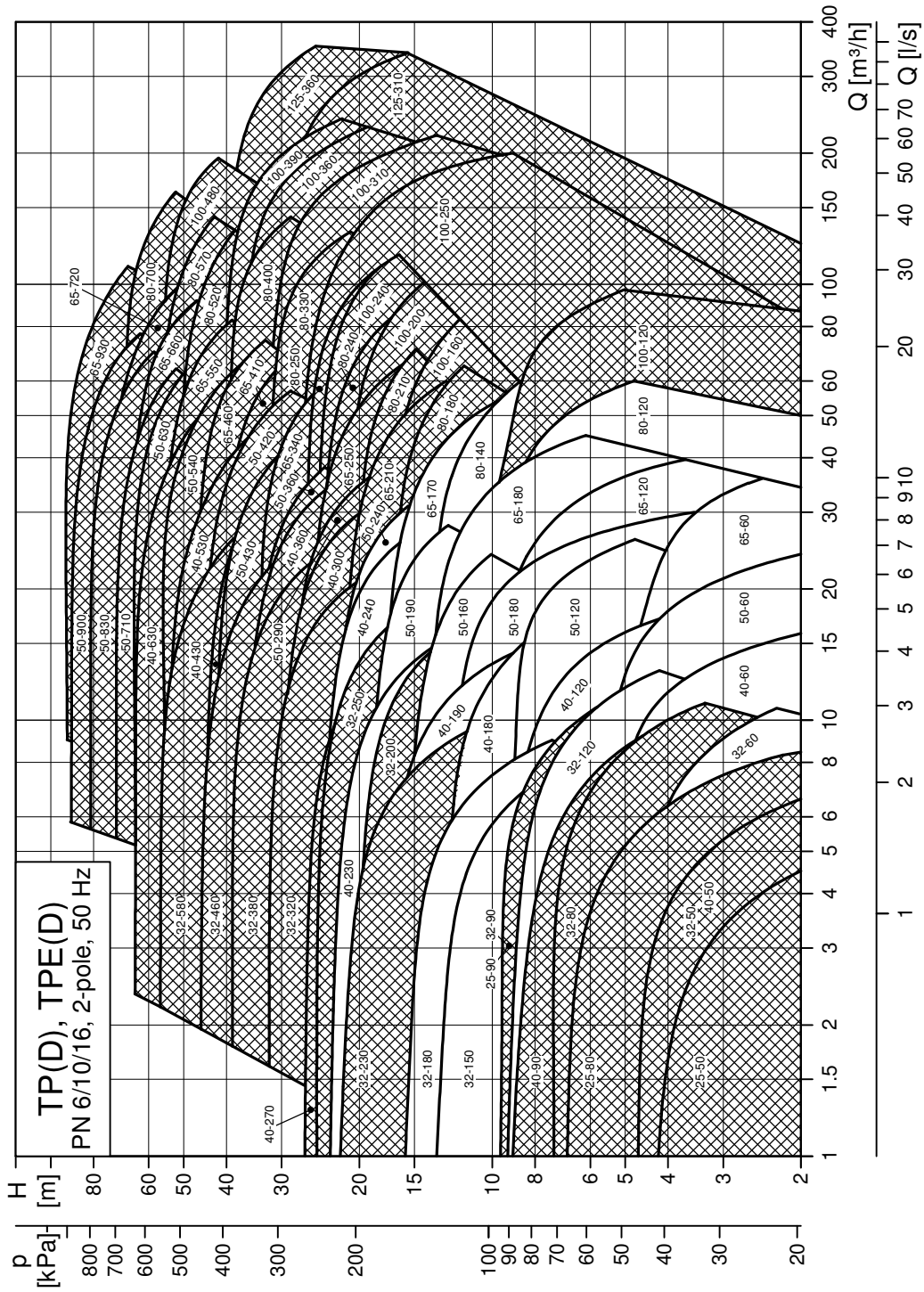


be  
think  
innovate

**GRUNDFOS** 

### Performance range, 2-pole, PN 6, 10, 16

See page 174 for performance curves.

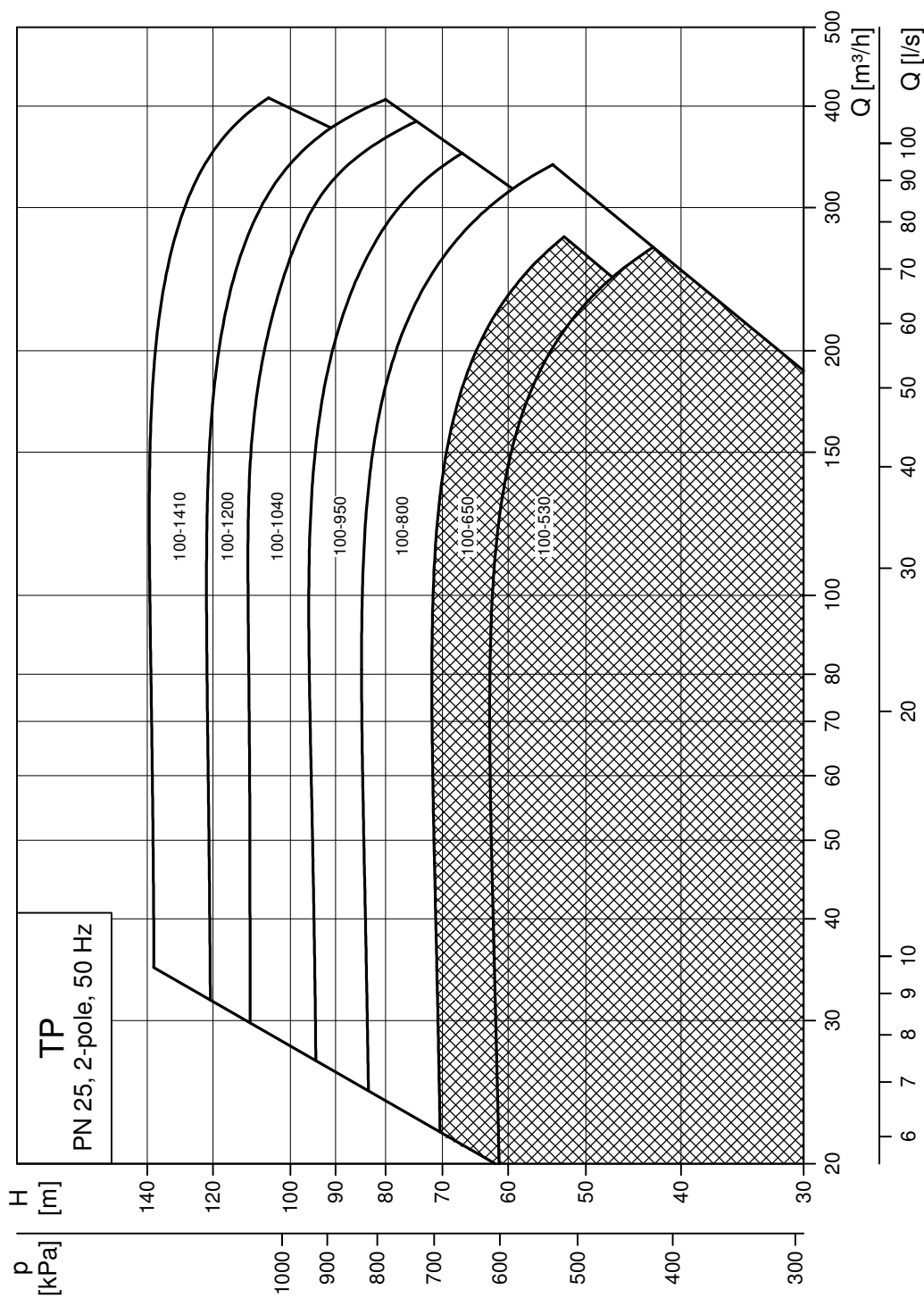


**Note:** All QH curves apply to single-head pumps. For further information about curve conditions, see page 160. The hatched area shows the performance range of TPE pumps.

TM02 7550 2218

### Performance range, 2-pole, PN 25

See page 196 for performance curves.

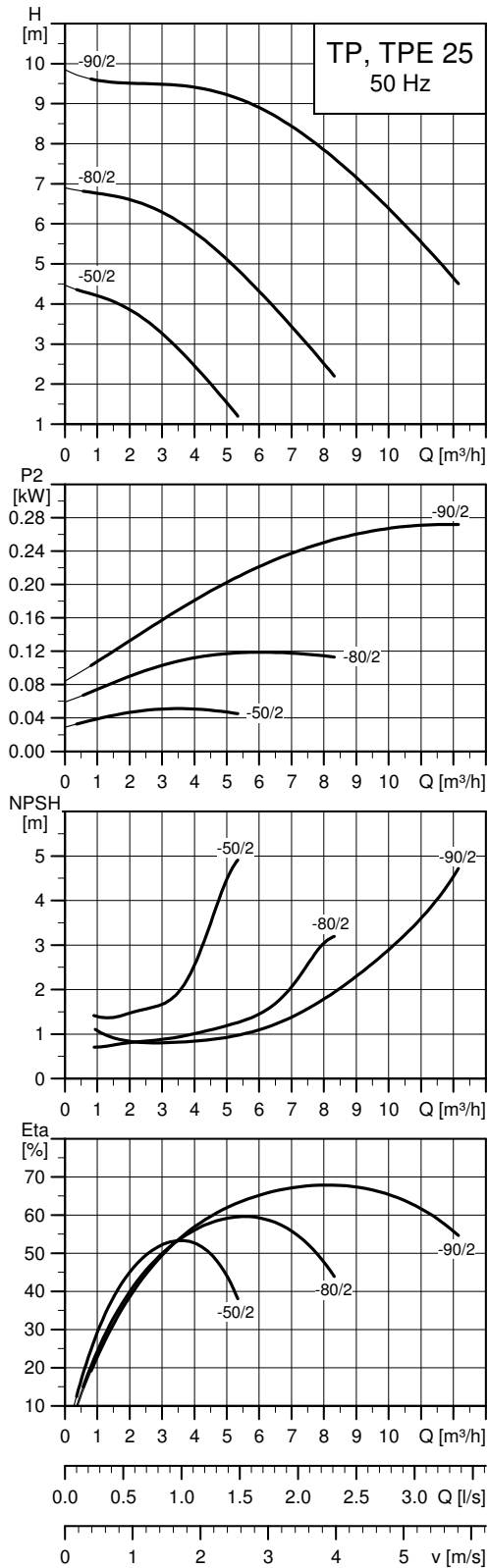


**Note:** All QH curves apply to single-head pumps. For further information about curve conditions, see page 160.

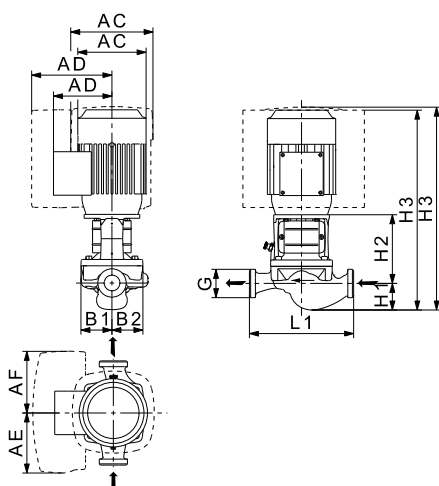
TM06 6533 2218

**TP, TPD, TPE, TPED, 2-pole, PN 6, 10, 16, 25**

**TP, TPE 25-XX/2**



TM02 5014 4617

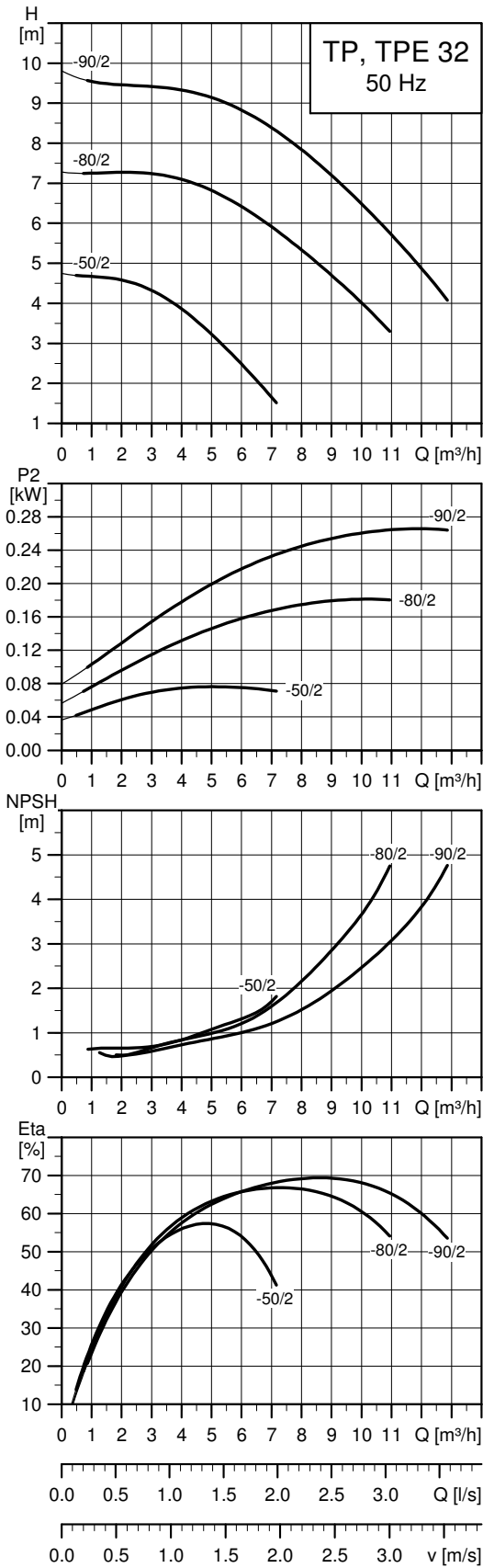


TM02 8348 2614

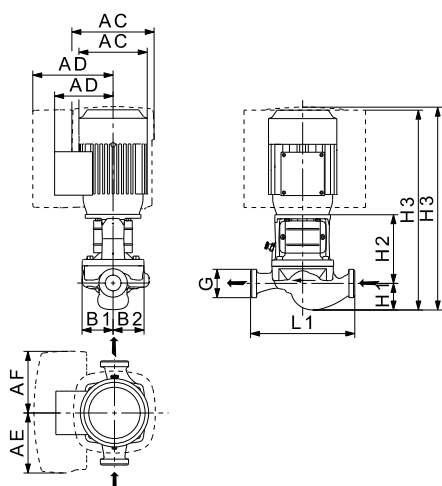
### Technical data

TP 25	-50/2	-80/2	-90/2	
TPD	-	-	-	
TPE	•	•	•	
TPED	-	-	-	
Series	100	100	100	
IEC size	1~ TP	63	71	
	3~ TP	63	71	
	1~ TPE	71	71	
	3~ TPE	-	-	
P2	1~/3~ TP [kW]	0.12/0.12	0.18/0.18	0.37/0.37
	1~/3~ TPE [kW]	0.12/-	0.18/-	0.37/-
PN	10	10	10	
T <sub>min</sub> :T <sub>max</sub>	[°C]	[-25;110]	[-25;110]	[-25;110]
G	G 1 1/2			
AC	1~/3~ TP [mm]	141/124	141/124	141/141
	1~/3~ TPE [mm]	122/-	122/-	122/-
AD	1~/3~ TP [mm]	133/101	133/101	133/109
	1~/3~ TPE [mm]	158/-	158/-	158/-
AE	1~/3~ TPE [mm]	106/-	106/-	106/-
AF	1~/3~ TPE [mm]	106/-	106/-	106/-
B1	[mm]	54	54	60
B2	[mm]	62	62	68
L1	[mm]	180	180	180
H1	[mm]	46	46	48
H2	[mm]	120	120	120
H3	1~/3~ TP [mm]	357/345	357/345	358/358
	1~/3~ TPE [mm]	380/-	380/-	381/-

TP, TPE 32-XX/2



TM02 5015 4617



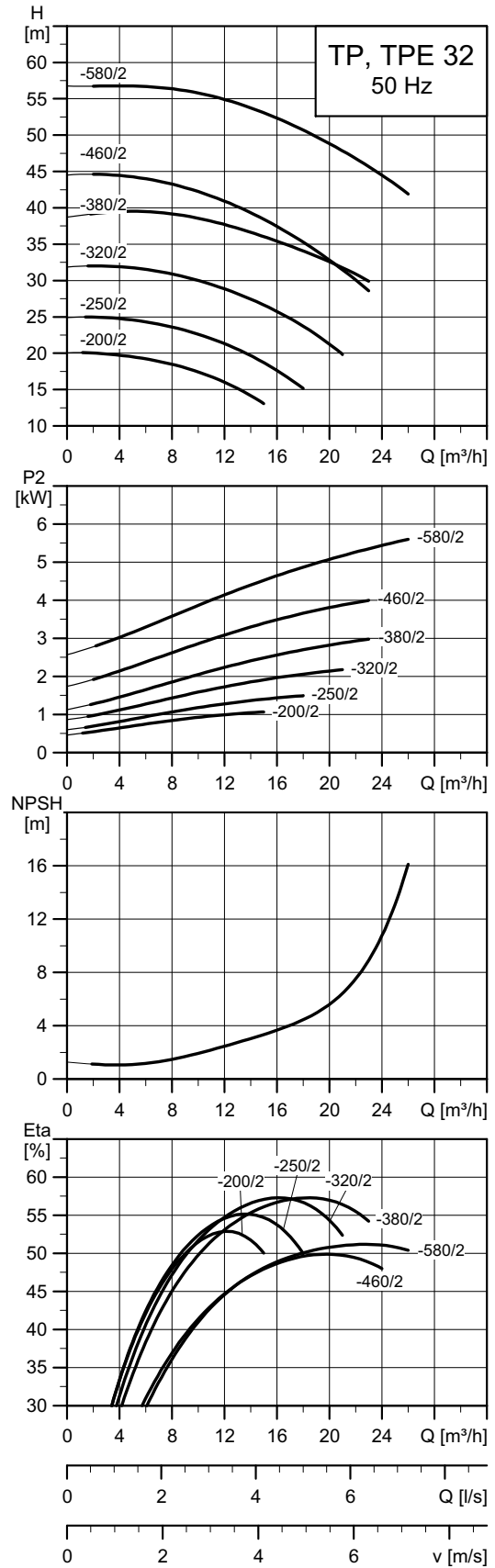
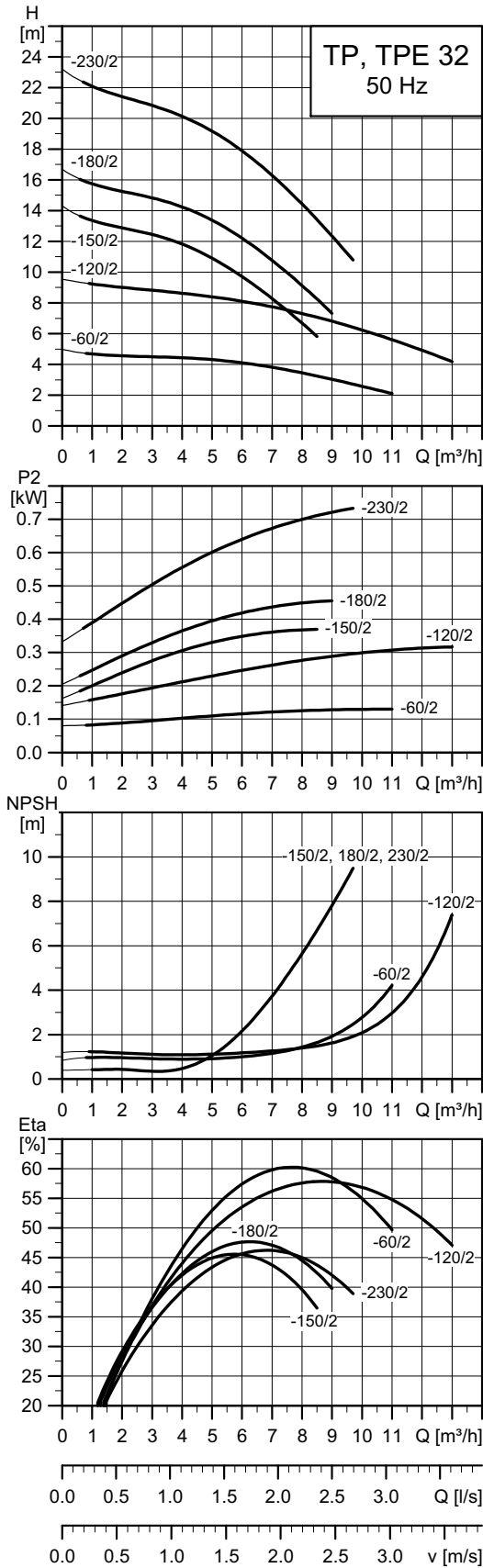
TM02 8348 2614

### Technical data

TP 32		-50/2	-80/2	-90/2
TPD		-	-	-
TPE		•	•	•
TPED		-	-	-
Series		100	100	100
IEC size	1~ TP	63	63	71
	3~ TP	63	63	71
	1~ TPE	71	71	71
	3~ TPE	-	-	-
P2	1~/3~ TP [kW]	0.12/0.12	0.25/0.25	0.37/0.37
	1~/3~ TPE [kW]	0.12/-	0.25/-	0.37/-
PN		10	10	10
T <sub>min</sub> :T <sub>max</sub>	[°C]	[-25;110]	[-25;110]	[-25;110]
G		G 2	G 2	G 2
AC	1~/3~ TP [mm]	141/124	141/124	141/141
	1~/3~ TPE [mm]	122/-	122/-	122/-
AD	1~/3~ TP [mm]	133/101	133/101	133/109
	1~/3~ TPE [mm]	158/-	158/-	158/-
AE	1~/3~ TPE [mm]	106/-	106/-	106/-
AF	1~/3~ TPE [mm]	106/-	106/-	106/-
B1	[mm]	54	54	60
B2	[mm]	62	62	68
L1	[mm]	180	180	180
H1	[mm]	48	48	47
H2	[mm]	120	120	120
H3	1~/3~ TP [mm]	359/347	359/347	357/357
	1~/3~ TPE [mm]	382/-	382/-	380/-



TP, TPE 32-XX/2

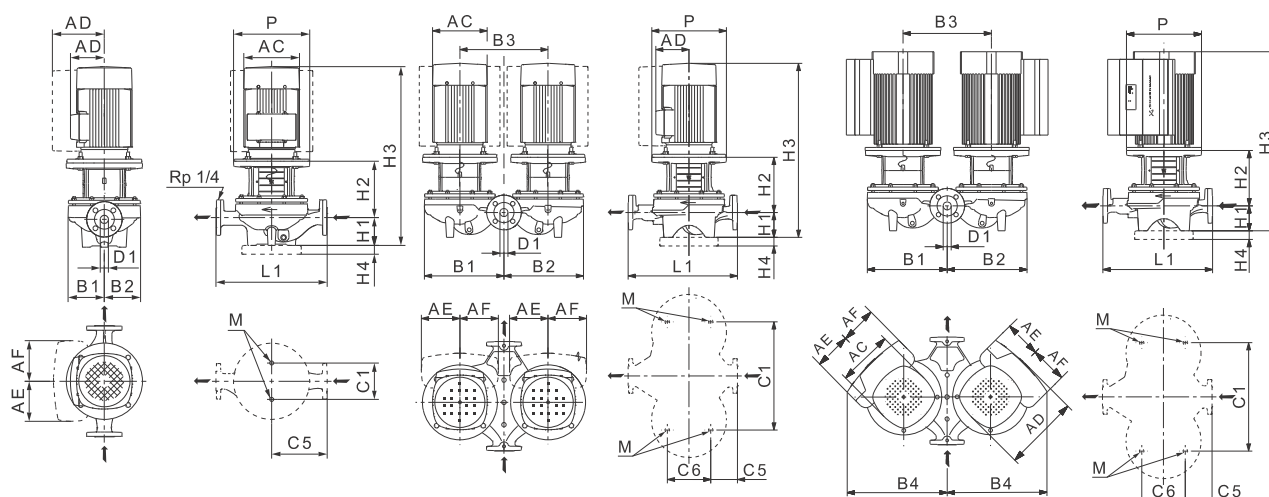


Note: All curves apply to single-head pumps. For further information, see page 160.

TM02 5016 2115

TM02 5017 2115





TM02 8632 2614 - TM02 8631 2614 - TM06 2653 4614

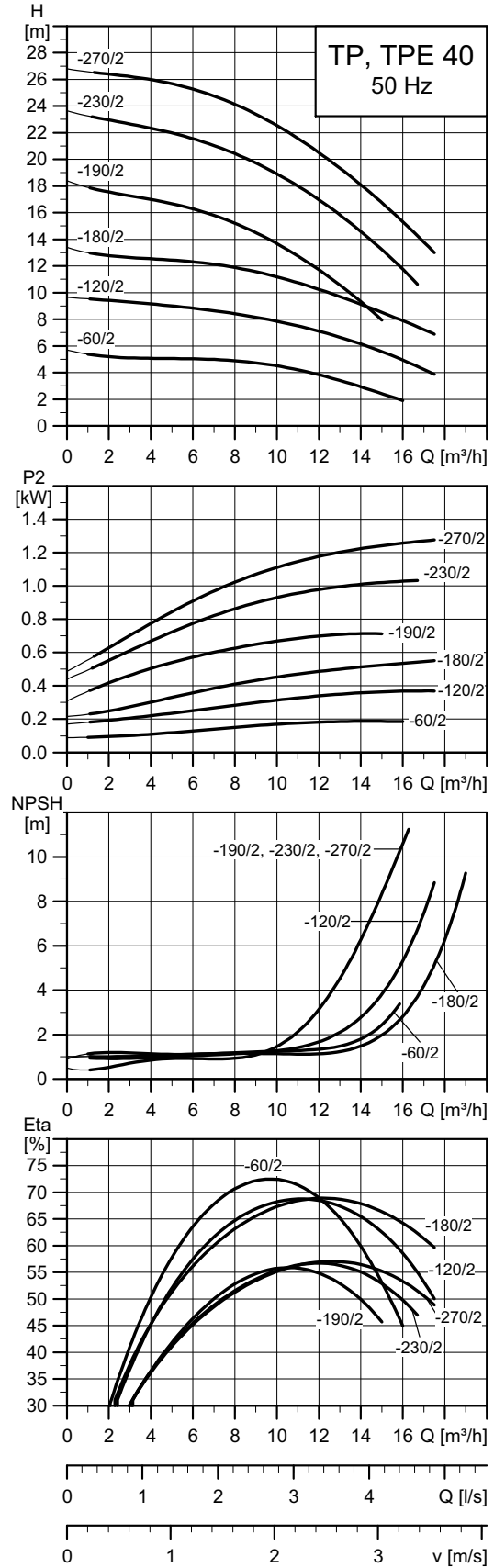
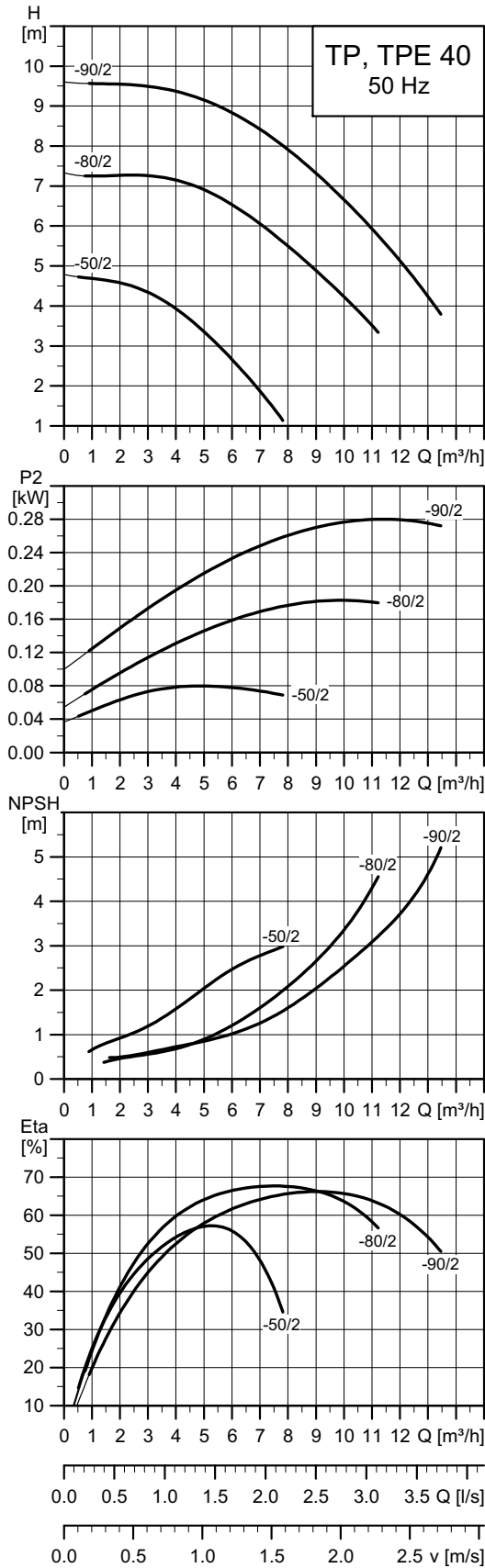
## Technical data

TP 32	-60/2	-120/2	-150/2	-180/2	-230/2	-200/2	-250/2	-320/2	-380/2	-460/2	-580/2
TPD	•	•	•	•	•	•	•	•	•	•	•
TPE	-	-	-	-	•	•	•	•	•	•	•
TPED	-	-	-	-	•	•	•	•	•	•	•
Series	200	200	200	200	200	300	300	300	300	300	300
IEC size	1~ TP	71	71	71	80	80	80	90	-	-	-
	3~ TP	63	71	71	71	80	80	90	90	100	112
	1~ TPE	-	-	-	-	80	80	90	-	-	-
	3~ TPE	-	-	-	-	80	80	90	90	100	112
P2	1~/3~ TP ★ [kW]	0.25/0.25	0.37/0.37	0.37/0.37	0.55/0.55	0.75/0.75	-1.1	-1.5	-2.2	-3	-4
	1~/3~ TPE [kW]	-	-	-	-	0.75/0.75	1.1/1.1	1.5/1.5	-2.2	-3	-4
PN	PN 6/10	PN 6/10	PN 6/10	PN 6/10	PN 6/10	PN 16	PN 16	PN 16	PN 16	PN 16	PN 16
T <sub>min</sub> , T <sub>max</sub>	[°C]	[-25;140]	[-25;140]	[-25;140]	[-25;140]	[-25;120]	[-25;120]	[-25;120]	[-25;120]	[-25;120]	[-25;120]
D1	[mm]	32	32	32	32	32	32	32	32	32	32
AC	1~/3~ TP [mm]	124/124	141/142	141/141	141/141	141/141	-141	-178	-178	-198	-220
	1~/3~ TPE [mm]	-	-	-	-	122/122	122/122	122/122	-122	-191	-191
AD	1~/3~ TP [mm]	101/101	133/133	133/109	133/109	133/109	-109	-110	-110	-120	-134
	1~/3~ TPE [mm]	-	-	-	-	158/158	158/158	158/158	-158	-201	-201
AE	1~/3~ TPE [mm]	-	-	-	-	106/134	106/134	106/130	-130	-146	-146
AF	1~/3~ TPE [mm]	-	-	-	-	106/134	106/134	106/130	-130	-146	-146
P	[mm]	90	-	-	-	120	200	200	200	250	300
B1 ★★	[mm]	75/176	75/180	102/222	102/222	102/222	125/260	125/260	125/260	125/260	144/321
B2 ★★	[mm]	75/176	75/180	102/222	102/222	102/222	117/257	117/257	117/257	117/257	144/321
B3	[mm]	200	200	240	240	240	276	276	276	276	355
B4 ★★	[mm]	-	-	-	-	-327	-345	-338	-334	-384	-421
C1 ★★	[mm]	80/200	80/200	80/240	80/240	80/240	144/356	144/356	144/356	144/356	144/435
C5 ★★	[mm]	110/52	110/52	140/82	140/82	140/82	170/45	170/45	170/45	170/45	220/46
C6	[mm]	103	103	103	103	103	175	175	175	175	175
L1	[mm]	220	220	280	280	280	340	340	340	340	440
H1	[mm]	68	68	79	79	79	100	100	100	100	100
H2	[mm]	140/139	126	125	125	137	154	154	154	183	184
H3	1~/3~ TP [mm]	387/386	385/385	395/395	447/395	447/447	-505	-535	-575	-618	-656
	1~/3~ TPE [mm]	-	-	-	-	430/470	488/528	488/488	-528	-616	-618
H4	[mm]	-	-	-	-	-	-	-	-	-	-
M		M12	M12	M12	M12	M12	M16	M16	M16	M16	M16

★ TP, TPD pumps are primarily fitted with IE3 motors. See *Motor data* on page 125.

★★ The dimension before the slash applies to the single-head pump, and the dimension after the slash applies to the twin-head pump.

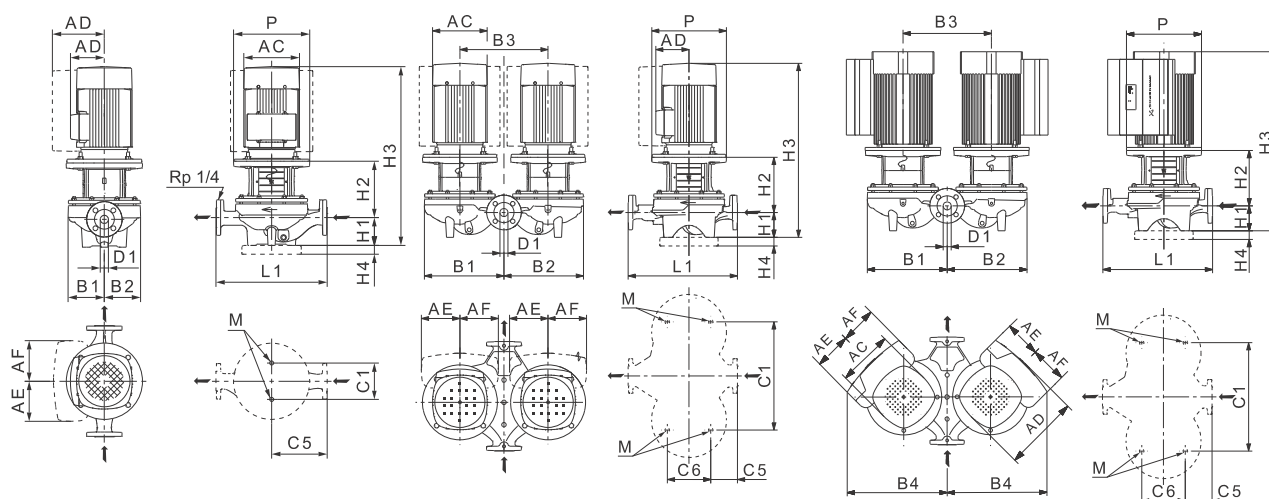
TP, TPE 40-XX/2



Note: All curves apply to single-head pumps. For further information, see page 160.

TM02 5018 2115

TM02 5019 2115



TM02 8632 2614 - TM02 8631 2614 - TM06 2653 4614

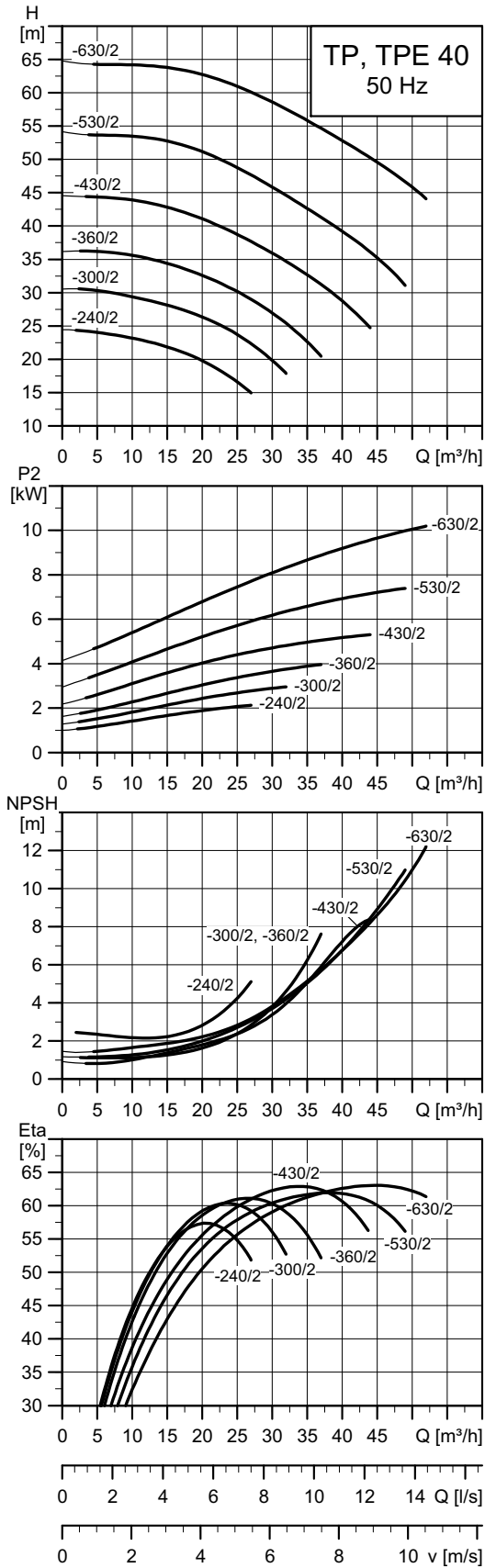
## Technical data

TP 40		-50/2	-60/2	-80/2	-90/2	-120/2	-180/2	-190/2	-230/2	-270/2
TPD		-	•	-	-	•	-	•	•	•
TPE		•	-	-	-	-	-	-	-	•
TPED		-	-	-	-	-	-	-	-	•
Series		100	200	100	100	200	200	200	200	200
IEC size	1~ TP	63	71	63	71	71	80	80	90	90
	3~ TP	63	71	63	71	71	71	80	80	90
	1~ TPE	71	71	71	71	71	71	80	80	90
	3~ TPE	-	-	-	-	-	-	90	90	90
P2	1~/3~ TP ★ [kW]	0.12/0.12	0.25/0.25	0.25/0.25	0.37/0.37	0.37/0.37	0.55/0.55	0.75/0.75	1.1/1.1	1.5/1.5
	1~/3~ TPE [kW]	-	-	-	-	-	-	-	-	1.5/1.5
PN		PN 6/10	PN 6/10	PN 6/10	PN 6/10	PN 6/10	PN 6/10	PN 16	PN 16	PN 16
T <sub>min</sub> , T <sub>max</sub>	[°C]	[-25;110]	[-25;140]	[-25;110]	[-25;110]	[-25;140]	[-25;140]	[-25;140]	[-25;140]	[-25;140]
D1	[mm]	40	40	40	40	40	40	40	40	40
AC	1~/3~ TP [mm]	141/124	141/141	141/124	141/141	141/141	141/141	141/141	178/141	178/178
	1~/3~ TPE [mm]	-	-	-	-	-	-	-	-	122/122
AD	1~/3~ TP [mm]	133/101	133/109	133/101	133/109	133/109	133/109	133/109	139/109	139/110
	1~/3~ TPE [mm]	-	-	-	-	-	-	-	-	158/158
AE	1~/3~ TPE [mm]	-	-	-	-	-	-	-	-	106/134
AF	1~/3~ TPE [mm]	-	-	-	-	-	-	-	-	106/134
P	[mm]	-	-	-	-	-	-	-	-	135
B1 ★★	[mm]	75/-	75/180	75/-	75/-	75/180	100/-	102/222	102/222	102/222
B2 ★★	[mm]	75/-	75/180	75/-	75/-	75/180	100/-	102/222	102/222	102/222
B3	[mm]	-	200	-	-	200	-	240	240	240
B4 ★★	[mm]	-	-	-	-	-	-	-	-	-/327
C1 ★★	[mm]	-	80/200	-	-	80/200	80/-	120/240	120/240	120/240
C5 ★★	[mm]	-	125/45	-	-	125/45	125/-	160/95	160/95	160/95
C6	[mm]	-	125	-	-	125	-	125	125	125
L1	[mm]	250	250	250	250	250	250	320	320	320
H1	[mm]	67	67	67	62	67	68	68	68	68
H2	[mm]	120	129	120	120	129	131	141	141	151
H3	1~/3~ TP [mm]	378/366	387/366	378/366	373/373	387/387	442/390	439/439	499/510	539/500
	1~/3~ TPE [mm]	-	-	-	-	-	-	-	-	453/493
H4	[mm]	-	-	-	-	-	-	-	-	-
M		-	M12	-	-	M12	M12	M12	M12	M12

★ TP, TPD pumps are primarily fitted with IE3 motors. See *Motor data* on page 125.

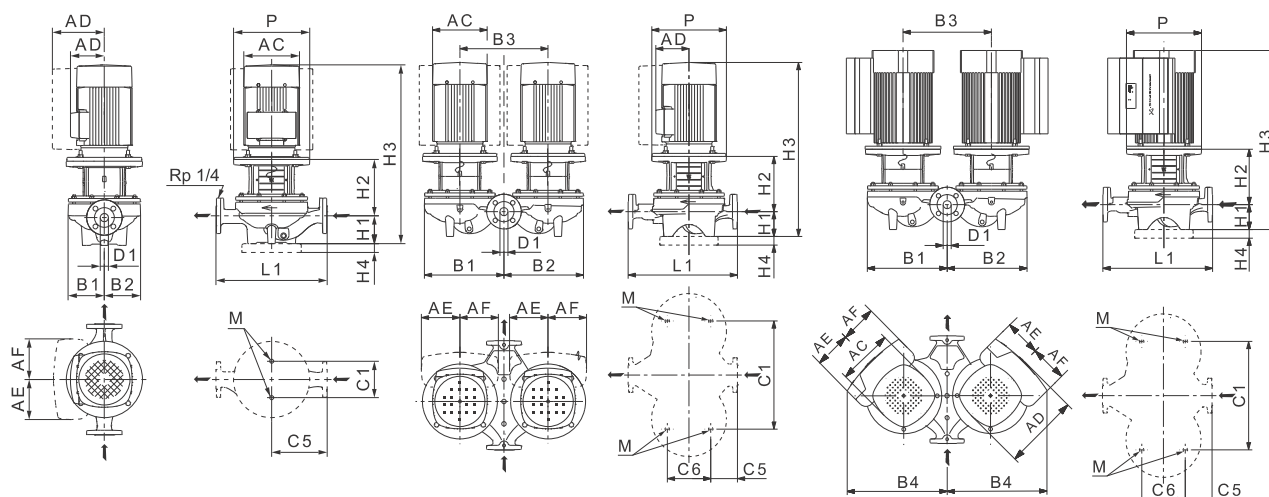
★★ The dimension before the slash applies to the single-head pump, and the dimension after the slash applies to the twin-head pump.

TP 40-XX/2



TM02 5020 2115

Note: All curves apply to single-head pumps. For further information, see page 160.



TM02 8632 2614 - TM02 8631 2614 - TM06 2653 4614

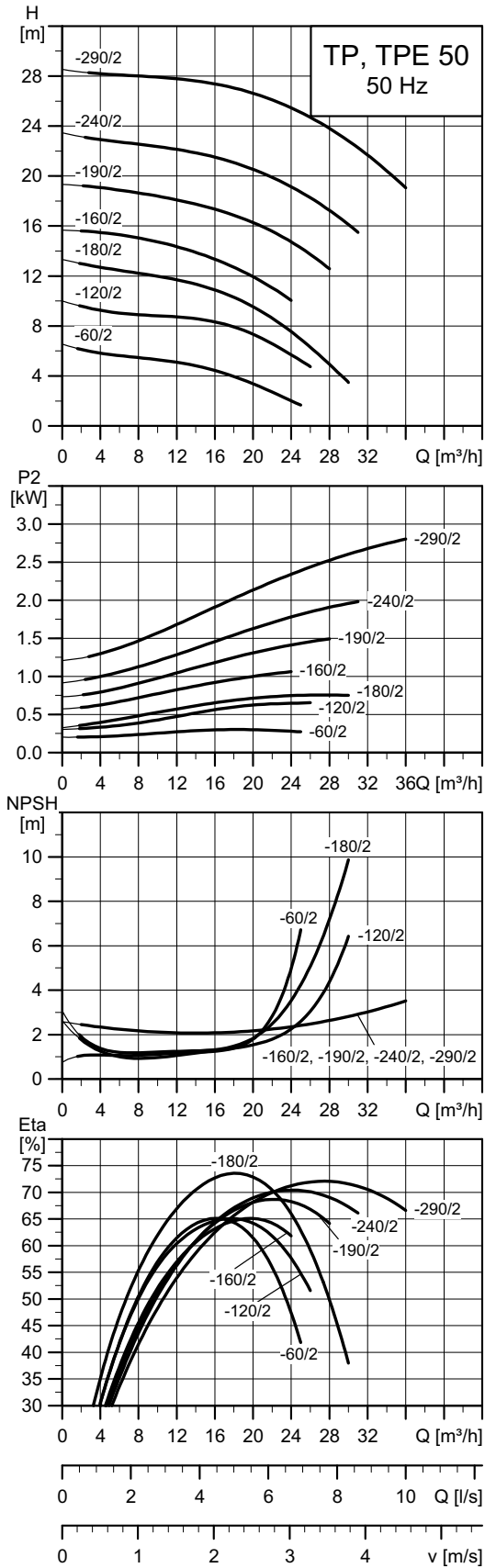
### Technical data

TP 40	-240/2	-300/2	-360/2	-430/2	-530/2	-630/2	
TPD	•	•	•	•	•	•	
TPE	-	•	•	•	•	•	
TPED	-	•	•	•	•	•	
Series	300	300	300	300	300	300	
IEC size	1~ TP	-	-	-	-	-	
	3~ TP	90	100	112	132	160	
	1~ TPE	-	-	-	-	-	
	3~ TPE	-	100	112	132	132	160
P2	1~/3~ TP ★ [kW]	-/2.2	-/3	-/4	-/5.5	-/7.5	-/11.0
	1~/3~ TPE [kW]	-	-/3	-/4	-/5.5	-/7.5	-/11.0
PN		PN 16	PN 16	PN 16	PN 16	PN 16	
T <sub>min</sub> , T <sub>max</sub>	[°C]	[-25;120]	[-25;120]	[-25;120]	[-25;120]	[-25;120]	[-25;120]
D1	[mm]	40	40	40	40	40	40
AC	1~/3~ TP [mm]	-/178	-/198	-/220	-/220	-/260	-/314
	1~/3~ TPE [mm]	-	-/191	-/191	-/191	-/255	-/255
AD	1~/3~ TP [mm]	-/110	-/120	-/134	-/134	-/159	-/204
	1~/3~ TPE [mm]	-	-/201	-/201	-/201	-/237	-/237
AE	1~/3~ TPE [mm]	-	-/146	-/146	-/146	-/173	-/173
AF	1~/3~ TPE [mm]	-	-/146	-/146	-/146	-/173	-/173
P	[mm]	200	250	250	300	300	350
B1 ★★	[mm]	130/273	130/273	130/273	150/325	150/325	150/325
B2 ★★	[mm]	117/267	117/267	117/267	147/325	147/325	147/325
B3	[mm]	290	290	290	355	355	355
B4 ★★	[mm]	-	-/391	-/391	-/424	-/469	-/415
C1 ★★	[mm]	144/400	144/400	144/400	144/435	144/435	144/435
C5 ★★	[mm]	170/45	170/45	170/45	220/105	220/105	220/105
C6	[mm]	175	175	175	175	175	175
L1	[mm]	340	340	340	440	440	440
H1	[mm]	100	100	100	110	110	110
H2	[mm]	166	194	194	223	223	253
H3	1~/3~ TP [mm]	-/587	-/629	-/666	-/724	-/724	-/832
	1~/3~ TPE [mm]	-	-/628	-/628	-/722	-/746	-/769
H4	[mm]	-	-	-	-	-	35
M		M16	M16	M16	M16	M16	M16

★ TP, TPD pumps are primarily fitted with IE3 motors. See *Motor data* on page 125.

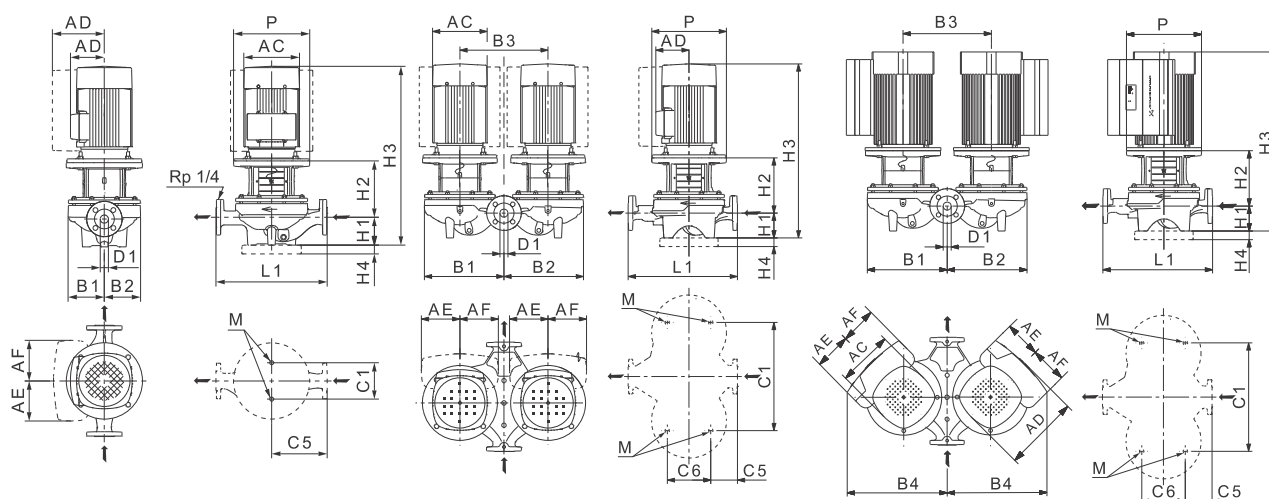
★★ The dimension before the slash applies to the single-head pump, and the dimension after the slash applies to the twin-head pump.

TP 50-XX/2



TM02 5021 2 115

Note: All curves apply to single-head pumps. For further information, see page 160.



TM02 8632 2614 - TM02 8631 2614 - TM06 2653 4614

### Technical data

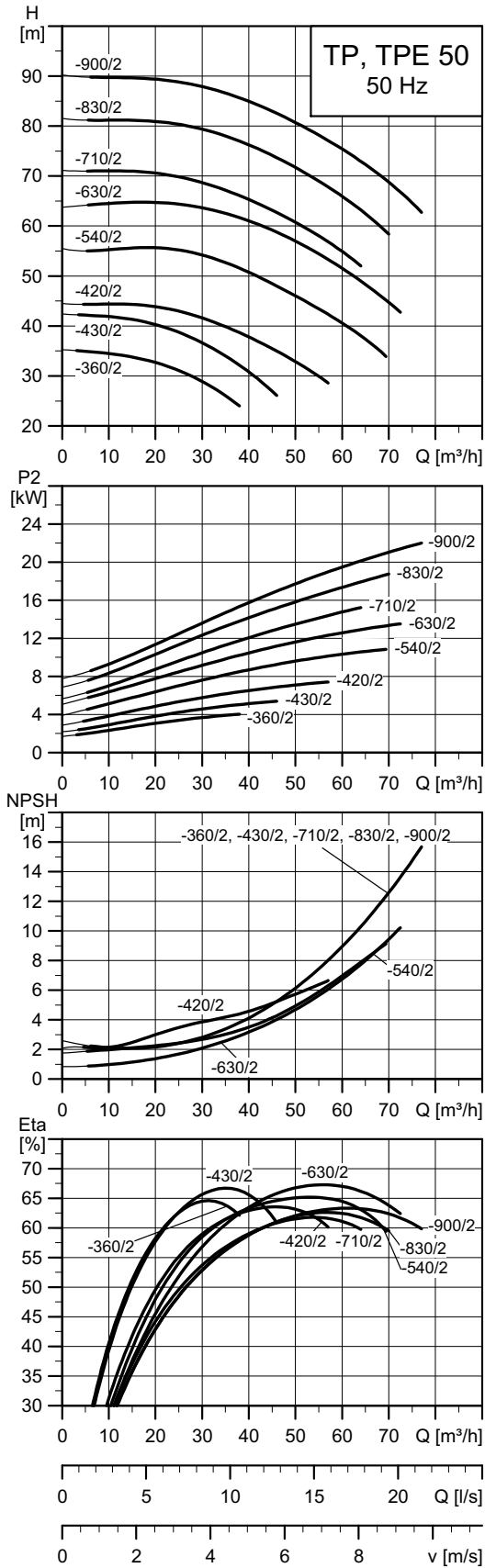
TP 50	-60/2	-120/2	-180/2	-160/2	-190/2	-240/2	-290/2
TPD	•	•	•	•	•	•	•
TPE	-	-	-	-	-	-	•
TPED	-	-	-	-	-	-	•
Series	200	200	200	300	300	300	300
IEC size	1~ TP	71	80	80	-	-	-
	3~ TP	71	80	80	80	90	100
	1~ TPE	-	-	-	-	-	-
	3~ TPE	-	-	-	-	-	100
P2	1~3~ TP ★ [kW]	0.37/0.37	0.75/0.75	0.75/0.75	-1.1	-1.5	-2.2
	1~3~ TPE [kW]	-	-	-	-	-	-3
PN	PN 6/10	PN 6/10	PN 6/10	PN 16	PN 16	PN 16	PN 16
T <sub>min</sub> :T <sub>max</sub>	[°C]	[-25;140]	[-25;140]	[-25;140]	[-25;120]	[-25;120]	[-25;120]
D1	[mm]	50	50	50	50	50	50
AC	1~3~ TP [mm]	141/141	141/141	141/141	-141	-178	-198
	1~3~ TPE [mm]	-	-	-	-	-	-191
AD	1~3~ TP [mm]	133/133	133/133	133/109	-109	-110	-120
	1~3~ TPE [mm]	-	-	-	-	-	-201
AE	1~3~ TPE [mm]	-	-	-	-	-	-146
AF	1~3~ TPE [mm]	-	-	-	-	-	-146
P	[mm]	105	120	-	200	200	250
B1 ★★	[mm]	90/177	100/221	100/225	117/252	117/252	117/252
B2 ★★	[mm]	75/188	100/221	100/225	117/252	117/252	117/252
B3	[mm]	200	240	240	270	270	270
B4 ★★	[mm]	-	-	-	-	-	-381
C1 ★★	[mm]	120/200	120/240	120/240	144/350	144/350	144/350
C5 ★★	[mm]	140/60	140/60	140/60	170/60	170/60	170/60
C6	[mm]	125	126	126	175	175	175
L1	[mm]	280	280	280	340	340	340
H1	[mm]	75	75/61	75	115	115	115
H2	[mm]	137	135/141	135	152	152	180
H3	1~3~ TP [mm]	403/403	441/441	441/441	-518	-548	-588
	1~3~ TPE [mm]	-	-	-	-	-	-629
H4	[mm]	-	-	-	-	-	-
M		M12	M12	M12	M16	M16	M16

★ TP, TPD pumps are primarily fitted with IE3 motors. See *Motor data* on page 125.

★★ The dimension before the slash applies to the single-head pump, and the dimension after the slash applies to the twin-head pump.

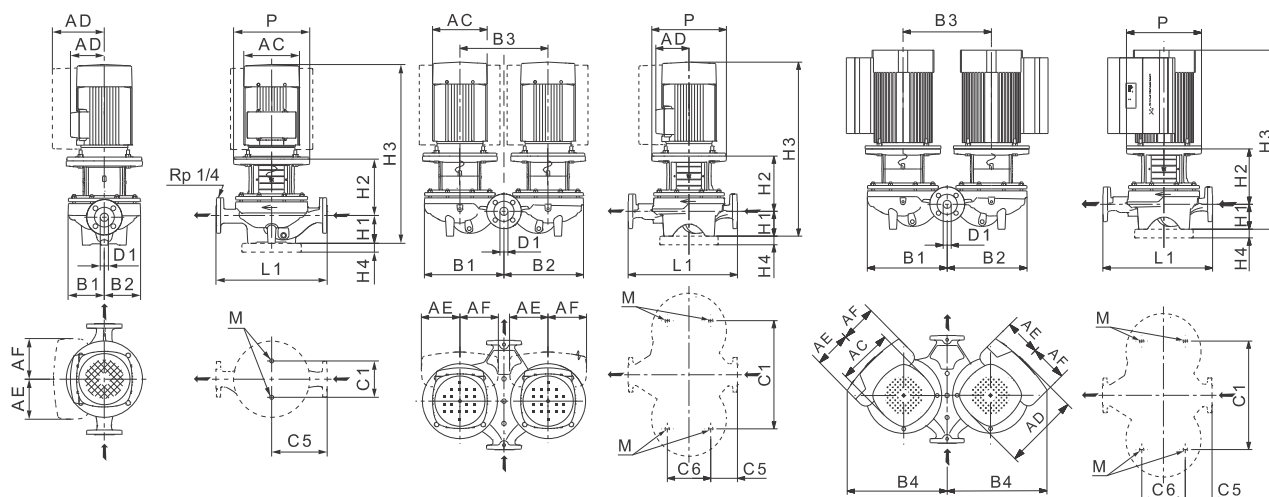


TP 50-XX/2



TM02 5022 2 115

Note: All curves apply to single-head pumps. For further information, see page 160.



TM02 8632 2614 - TM02 8631 2614 - TM06 2653 4614

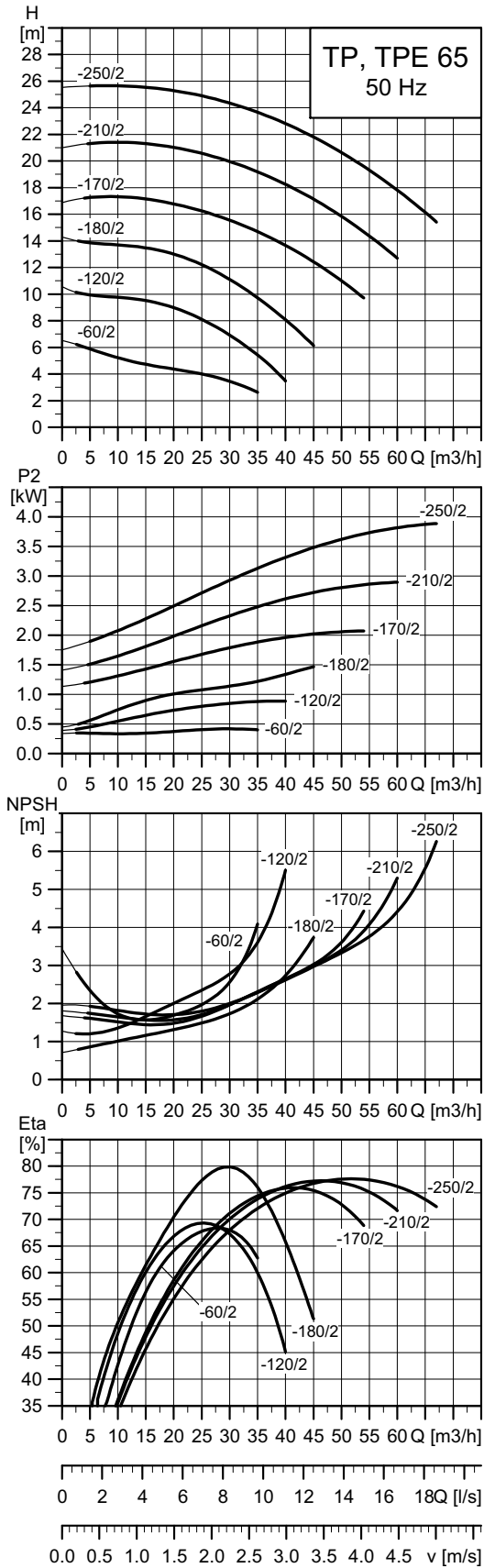
### Technical data

		-360/2	-430/2	-420/2	-540/2	-630/2	-710/2	-830/2	-900/2
TPD		•	•	•	•	•	•	•	•
TPE		•	•	•	•	•	•	•	•
TPED		•	•	•	•	•	•	•	•
Series		300	300	300	300	300	300	300	300
IEC size	1~ TP	-	-	-	-	-	-	-	-
	3~ TP	112	132	132	160	161	160	160	180
	1~ TPE	-	-	-	-	-	-	-	-
	3~ TPE	112	132	132	160	161	160	160	180
P2	1~/3~ TP ★ [kW]	-/4	-/5.5	-/7.5	-/11	-/15	-/15	-/18.5	-/22
	1~/3~ TPE [kW]	-/4	-/5.5	-/7.5	-/11	-/15	-/15	-/18.5	-/22
PN		PN 16	PN 16	PN 16	PN 16	PN 16	PN 16	PN 16	PN 16
T <sub>min</sub> , T <sub>max</sub>	[°C]	[-25;120]	[-25;120]	[-25;120]	[-25;120]	[-25;120]	[-25;120]	[-25;120]	[-25;120]
D1	[mm]	50	50	50	50	50	50	50	50
AC	1~/3~ TP [mm]	-/220	-/220	-/260	-/314	-/314	-/314	-/314	-/314
	1~/3~ TPE [mm]	-/191	-/191	-/255	-/255	-/314	-/314	-/314	-/314
AD	1~/3~ TP [mm]	-/134	-/134	-/159	-/204	-/204	-/204	-/204	-/204
	1~/3~ TPE [mm]	-/201	-/201	-/237	-/237	-/308	-/308	-/308	-/308
AE	1~/3~ TPE [mm]	-/146	-/146	-/173	-/173	-/210	-/210	-/210	-/210
AF	1~/3~ TPE [mm]	-/146	-/146	-/173	-/173	-/210	-/210	-/210	-/210
P	[mm]	250	300	300	350	350	350	350	350
B1 ★★	[mm]	133/290	133/290	162/373	162/373	162/373	180/386	180/386	180/386
B2 ★★	[mm]	119/284	119/284	162/373	162/373	162/373	164/379	164/379	164/379
B3	[mm]	320	320	420	420	420	420	420	420
B4 ★★	[mm]	-/406	-/406	-/383	-/501	-/385	-/555	-/555	-/555
C1 ★★	[mm]	144/400	144/400	144/500	144/500	144/500	144/500	144/500	144/500
C5 ★★	[mm]	170/52	170/52	220/123	220/123	220/123	220/123	220/123	220/123
C6	[mm]	175	175	175	175	175	175	175	175
L1	[mm]	340	340	440	440	440	440	440	440
H1	[mm]	115	115	115	115	115	115	115	115
H2	[mm]	189	228	227	257	257	264	264	264
H3	1~/3~ TP [mm]	-/676	-/734	-/721	-/843	-/843	-/850	-/894	-/894
	1~/3~ TPE [mm]	-/638	-/708	-/738	-/785	-/843	-/850	-/894	-/920
H4	[mm]	-	-	-	35	35	35	35	35
M		M16	M16	M16	M16	M16	M16	M16	M16

★ TP, TPD pumps are primarily fitted with IE3 motors. See *Motor data* on page 125.

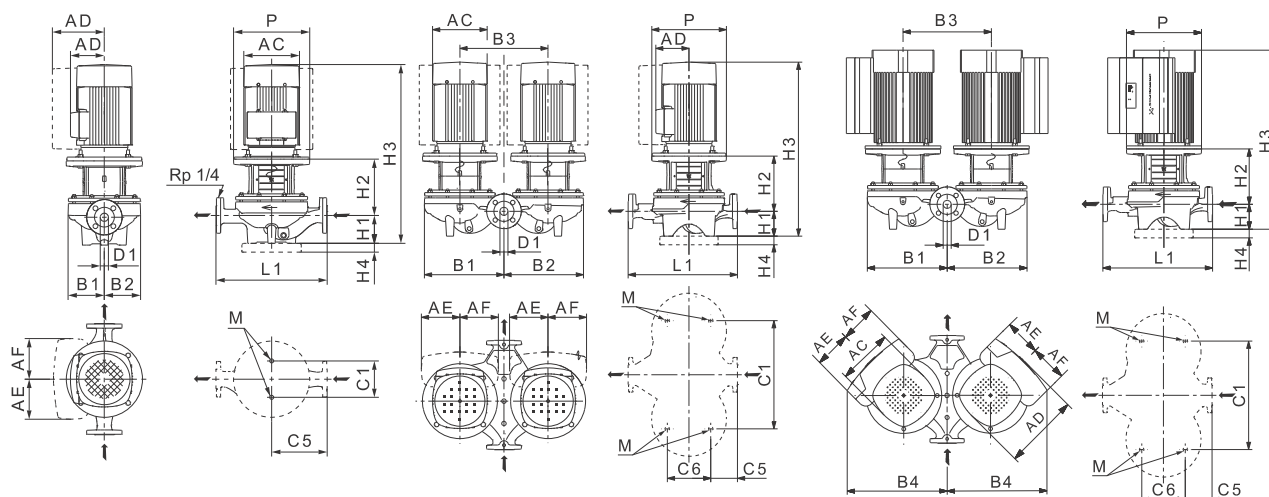
★★ The dimension before the slash applies to the single-head pump, and the dimension after the slash applies to the twin-head pump.

TP 65-XX/2



TM02 5023 2 115

Note: All curves apply to single-head pumps. For further information, see page 160.



TM02 8632 2614 - TM02 8631 2614 - TM06 2653 4614

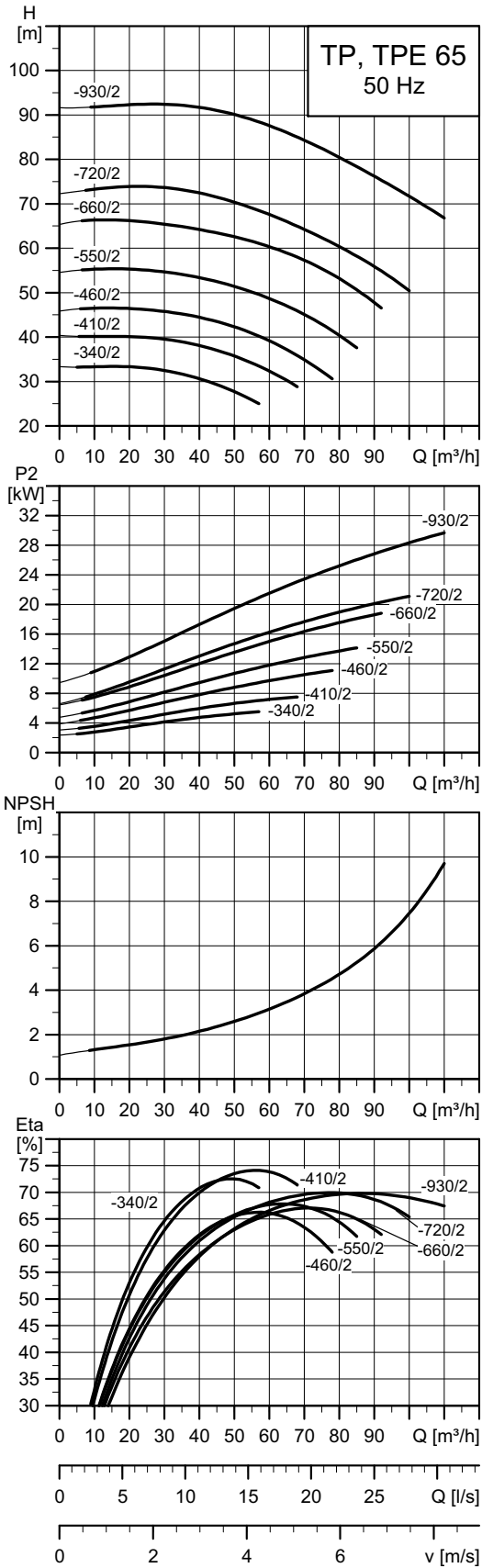
### Technical data

TP 65	-60/2	-120/2	-180/2	-170/2	-210/2	-250/2
TPD	•	•	•	•	•	•
TPE	-	-	-	-	•	•
TPED	-	-	-	-	•	•
Series	200	200	200	300	300	300
IEC size	1~ TP	80	90	90	-	-
	3~ TP	71	80	90	90	100
	1~ TPE	-	-	-	-	-
	3~ TPE	-	-	-	-	100
P2	1~/3~ TP ★ [kW]	0.55/0.55	1.1/1.1	1.5/1.5	-/2.2	-/3
	1~/3~ TPE [kW]	-	-	-	-	-/3
PN	PN 6/10	PN 6/10	PN 6/10	PN 16	PN 16	PN 16
T <sub>min</sub> , T <sub>max</sub>	[°C]	[-25;140]	[-25;140]	[-25;140]	[-25;120]	[-25;120]
D1	[mm]	65	65	65	65	65
AC	1~/3~ TP [mm]	141/141	178/141	178/178	-/178	-/220
	1~/3~ TPE [mm]	-	-	-	-/191	-/191
AD	1~/3~ TP [mm]	133/109	139/109	139/110	-/110	-/120
	1~/3~ TPE [mm]	-	-	-	-	-/201
AE	1~/3~ TPE [mm]	-	-	-	-/146	-/146
AF	1~/3~ TPE [mm]	-	-	-	-/146	-/146
P	[mm]	-	-	-	200	250
B1 ★★	[mm]	93/195	100/225	100/225	134/288	134/288
B2 ★★	[mm]	93/210	100/225	100/225	122/282	122/282
B3	[mm]	240	240	240	320	320
B4 ★★	[mm]	-	-	-	-	-/406
C1 ★★	[mm]	120/240	120/240	120/240	144/400	144/400
C5 ★★	[mm]	170/63	170/63	170/63	180/65	180/65
C6	[mm]	153	153	153	175	175
L1	[mm]	340	340	340	360	360
H1	[mm]	82	82	82	105	105
H2	[mm]	145	144	154	164	193
H3	1~/3~ TP [mm]	468/418	517/532	557/507	-/590	-/633
	1~/3~ TPE [mm]	-	-	-	-	-/631
H4	[mm]	-	-	-	-	-
M		M12	M12	M12	M16	M16

★ TP, TPD pumps are primarily fitted with IE3 motors. See *Motor data* on page 125.

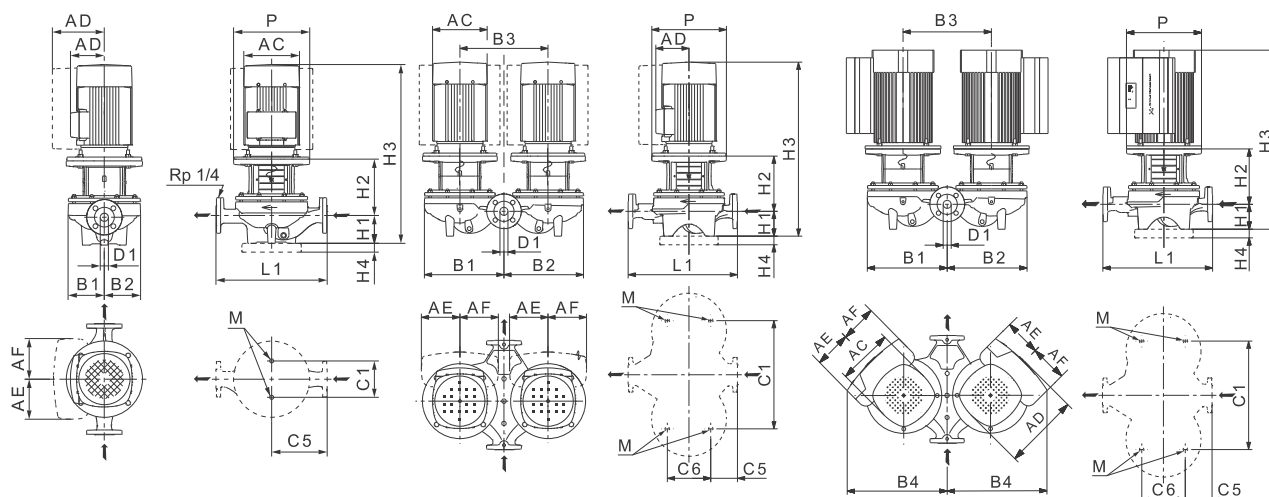
★★ The dimension before the slash applies to the single-head pump, and the dimension after the slash applies to the twin-head pump.

TP 65-XX/2



TM02 5024 2 115

Note: All curves apply to single-head pumps. For further information, see page 160.



TM02 8632 2614 - TM02 8631 2614 - TM06 2653 4614

## Technical data

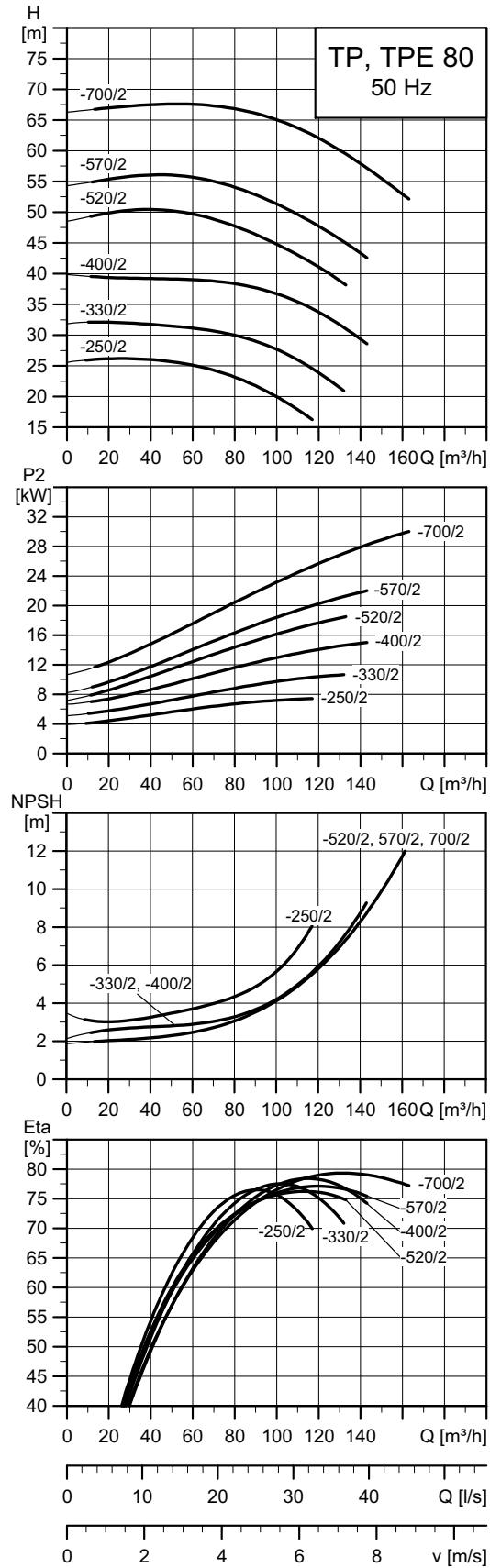
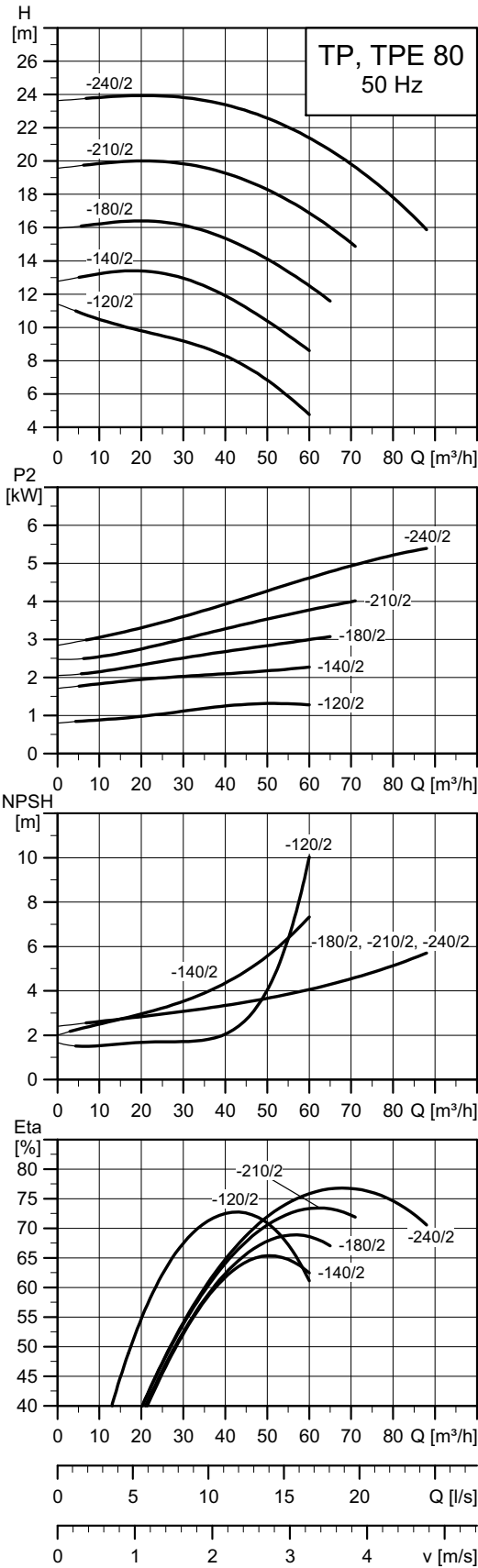
TP 65	-340/2	-410/2	-460/2	-550/2	-660/2	-720/2	-930/2
TPD	•	•	•	•	•	•	•
TPE	•	•	•	•	•	•	•***
TPED	•	•	•	•	•	•	-
Series	300	300	300	300	300	300	300
IEC size	1~ TP	-	-	-	-	-	-
	3~ TP	132	132	160	160	160	180
	1~ TPE	-	-	-	-	-	-
	3~ TPE	132	132	160	160	160	180
P2	1~/3~ TP ★ [kW]	-/5.5	-/7.5	-/11	-/15	-/18.5	-/22
	1~/3~ TPE [kW]	-/5.5	-/7.5	-/11	-/15	-/18.5	-/22
PN	PN 16	PN 16	PN 16	PN 16	PN 16	PN 16	PN 16
T <sub>min</sub> , T <sub>max</sub>	[°C]	[-25;120]	[-25;120]	[-25;120]	[-25;120]	[-25;120]	[-25;120]
D1	[mm]	65	65	65	65	65	65
AC	1~/3~ TP [mm]	-/220	-/260	-/314	-/314	-/314	-/314
	1~/3~ TPE [mm]	-/191	-/255	-/255	-/314	-/314	-/314
AD	1~/3~ TP [mm]	-/134	-/159	-/204	-/204	-/204	-/315
	1~/3~ TPE [mm]	-/201	-/237	-/237	-/308	-/308	-/480
AE	1~/3~ TPE [mm]	-/146	-/173	-/173	-/210	-/210	-/126
AF	1~/3~ TPE [mm]	-/146	-/173	-/173	-/210	-/210	-/126
P	[mm]	300	300	350	350	350	400
B1 ★★	[mm]	142/298	142/298	178/349	178/349	178/349	178/349
B2 ★★	[mm]	124/290	124/290	164/383	164/383	164/383	164/383
B3	[mm]	320	320	440	440	440	440
B4 ★★	[mm]	-/406	-/451	-/511	-/558	-/558	-
C1 ★★	[mm]	144/400	144/400	144/520	144/520	144/520	144/520
C5 ★★	[mm]	180/65	180/65	238/111	238/111	238/111	238/111
C6	[mm]	175	175	175	175	175	175
L1	[mm]	360	360	475	475	475	475
H1	[mm]	105	105	125	125	125	125
H2	[mm]	239	239	263	263	263	263
H3	1~/3~ TP [mm]	-/735	-/723	-/859	-/859	-/903	-/999
	1~/3~ TPE [mm]	-/709	-/733	-/794	-/859	-/903	-/929
H4	[mm]	-	-	35	35	35	35
M		M16	M16	M16	M16	M16	M16

★ TP, TPD pumps are primarily fitted with IE3 motors. See *Motor data* on page 125.

★★ The dimension before the slash applies to the single-head pump, and the dimension after the slash applies to the twin-head pump.

★★★ The integrated CUE can be positioned in an angle deviating from this drawing with up to 30 degrees. For further information look in Grundfos Product Center.

TP 80-XX/2

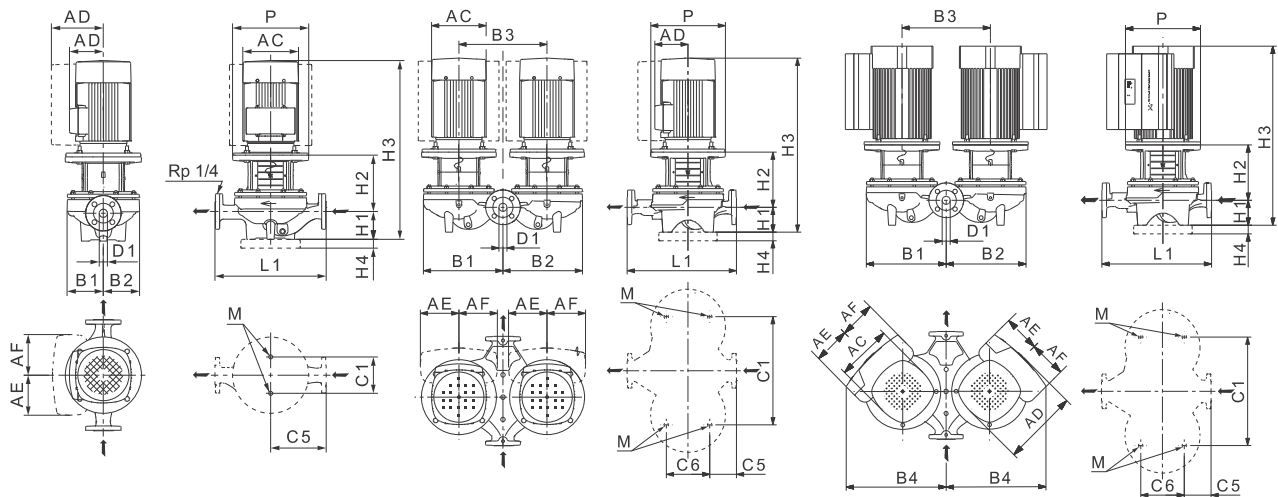


Note: All curves apply to single-head pumps. For further information, see page 160.

TM02 5025 2 115

TM02 8750 2 115





TM02 8632 2614 - TM02 8631 2614 - TM06 2653 4614

## Technical data

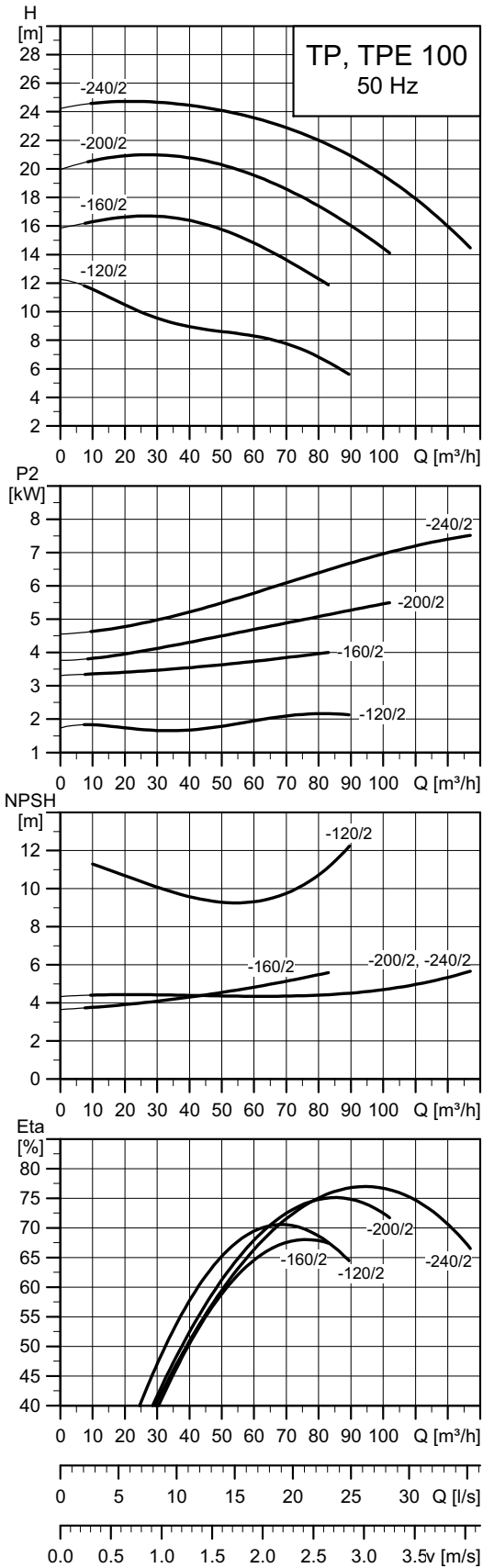
TP 80		-120/2	-140/2	-180/2	-210/2	-240/2	-250/2	-330/2	-400/2	-520/2	-570/2	-700/2
TPD		•	•	•	•	•	•	•	•	•	•	•
TPE		-	-	•	•	•	•	•	•	•	•	•***
TPED		-	-	•	•	•	•	•	•	•	•	-
Series		200	300	300	300	300	300	300	300	300	300	300
IEC size	1~ TP	90	-	-	-	-	-	-	-	-	-	-
	3~ TP	90	90	100	112	132	132	160	160	160	180	200
	1~ TPE	-	-	-	-	-	-	-	-	-	-	-
	3~ TPE	-	-	100	112	132	132	160	160	160	180	200
P2	1~/3~ TP ★ [kW]	1.5/1.5	-/2.2	-/3	-/4	-/5.5	-/7.5	-/11	-/15	-/18.5	-/22	-/30
	1~/3~ TPE [kW]	-	-	-/3	-/4	-/5.5	-/7.5	-/11	-/15	-/18.5	-/22	-/30
PN		PN 6/10	PN 16	PN 16	PN 16	PN 16	PN 16	PN 16	PN 16	PN 16	PN 16	PN 16
T <sub>min</sub> , T <sub>max</sub>	[°C]	[-25;140]	[-25;120]	[-25;120]	[-25;120]	[-25;120]	[-25;120]	[-25;120]	[-25;120]	[-25;120]	[-25;120]	[-25;120]
D1	[mm]	80	80	80	80	80	80	80	80	80	80	80
AC	1~/3~ TP [mm]	178/178	-/178	-/198	-/220	-/220	-/260	-/314	-/314	-/314	-/314	-/402
	1~/3~ TPE [mm]	-	-	-/191	-/191	-/191	-/255	-/255	-/314	-/314	-/314	-/402
AD	1~/3~ TP [mm]	139/139	-/110	-/120	-/134	-/134	-/159	-/204	-/204	-/204	-/204	-/315
	1~/3~ TPE [mm]	-	-	-/201	-/201	-/201	-/237	-/237	-/308	-/308	-/308	-/470
AE	1~/3~ TPE [mm]	-	-	-/146	-/146	-/146	-/173	-/173	-/210	-/210	-/210	-/126
AF	1~/3~ TPE [mm]	-	-	-/146	-/146	-/146	-/173	-/173	-/210	-/210	-/210	-/126
P	[mm]	135	200	250	250	300	300	350	350	350	350	400
B1 ★★	[mm]	120/134	125/296	125/296	125/296	125/296	176/366	176/366	176/366	187/416	187/416	187/416
B2 ★★	[mm]	100/225	119/290	119/290	119/290	119/290	144/354	144/354	144/354	162/405	162/405	162/405
B3	[mm]	240	340	340	340	340	400	400	400	470	470	470
B4 ★★	[mm]	-	-	-/416	-/416	-/416	-/491	-/491	-/538	-/573	-/573	-
C1 ★★	[mm]	160/240	144/420	144/420	144/420	144/420	144/480	144/480	144/480	144/550	144/550	144/550
C5 ★★	[mm]	180/53	180/78	180/78	180/78	180/78	220/93	220/93	220/93	250/133	250/133	250/133
C6	[mm]	173	175	175	175	175	175	175	175	350	350	350
L1	[mm]	360	360	360	360	360	440	440	440	500	500	500
H1	[mm]	97	105	105	105	105	115	115	115	115	115	115
H2	[mm]	163	176	204	204	243	243	273	273	273	273	273
H3	1~/3~ TP [mm]	581/581	-/602	-/644	-/681	-/739	-/737	-/859	-/859	-/903	-/903	-/999
	1~/3~ TPE [mm]	-	-	-/643	-/643	-/713	-/747	-/794	-/859	-/903	-/929	-/999
H4	[mm]	-	-	-	-	-	-	35	35	35	35	35
M		M16	M16	M16	M16	M16	M16	M16	M16	M16	M16	M16

★ TP, TPD pumps are primarily fitted with IE3 motors. See *Motor data* on page 125.

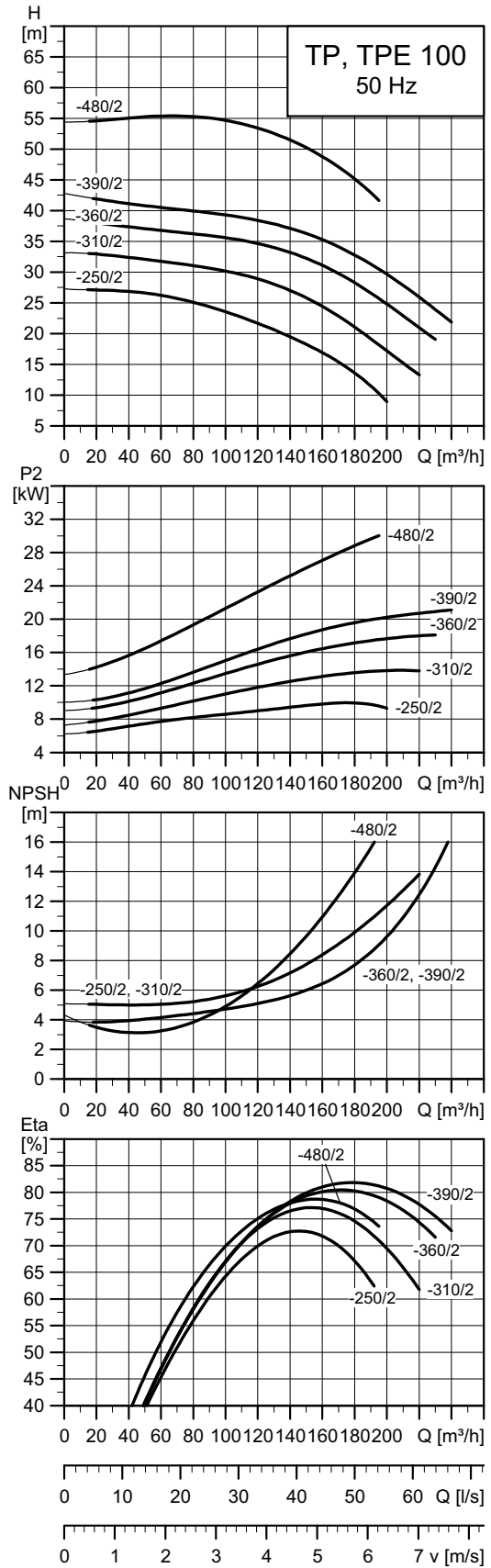
★★ The dimension before the slash applies to the single-head pump, and the dimension after the slash applies to the twin-head pump.

★★★ The integrated CUE can be positioned in an angle deviating from this drawing with up to 30 degrees. For further information look in Grundfos Product Center.

TP 100-XX/2

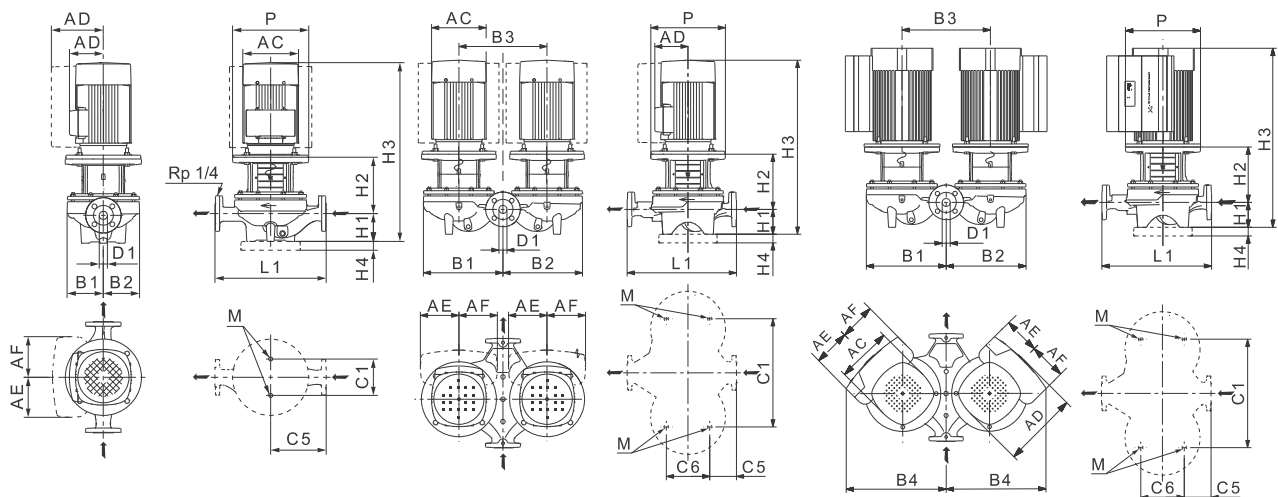


TM02 5026 4715



TM02 8751 2115

Note: All curves apply to single-head pumps. For further information, see page 160.



TM02 8632 2614 - TM02 8631 2614 - TM06 2653 4614

### Technical data

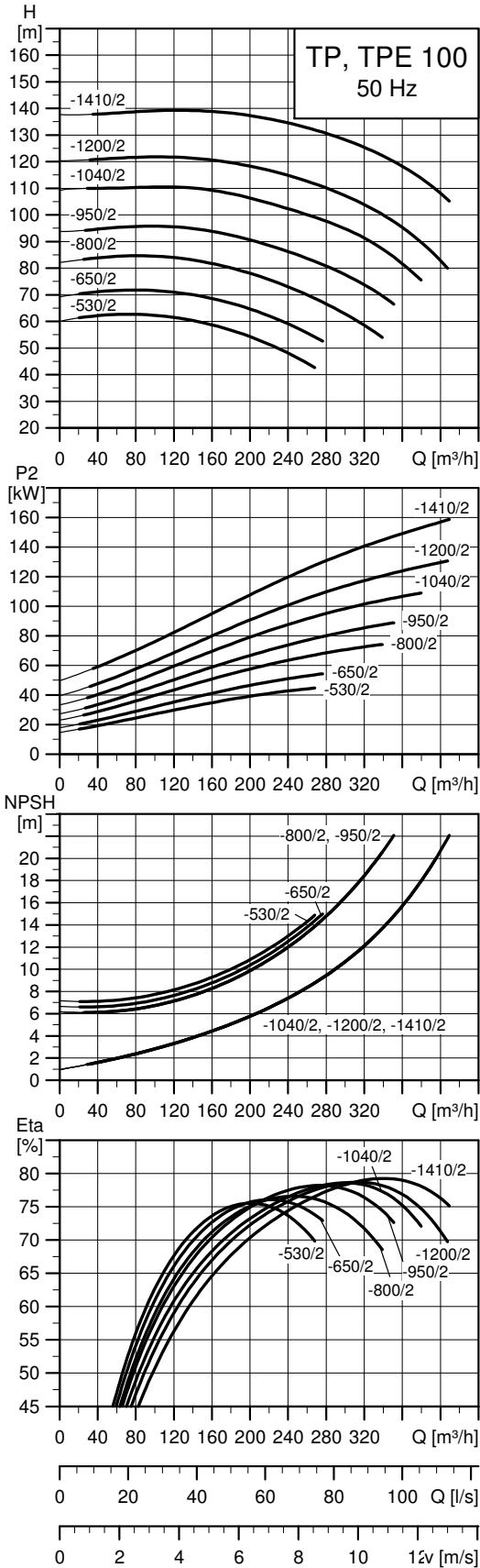
TP 100	-120/2	-160/2	-200/2	-240/2	-250/2	-310/2	-360/2	-390/2	-480/2	
TPD	•	•	•	•	•	•	•	•	•	
TPE	•	•	•	•	•	•	•	•	•***	
TPED	•	•	•	•	•	•	•	•	-	
Series	200	300	300	300	300	300	300	300	300	
IEC size	1~ TP	-	-	-	-	-	-	-	-	
	3~ TP	90	112	132	132	160	160	160	180	
	1~ TPE	-	-	-	-	-	-	-	-	
	3~ TPE	90	112	132	132	160	160	160	180	
P2	1~/3~ TP ★ [kW]	-/2.2	-/4	-/5.5	-/7.5	-/11	-/15	-/18.5	-/22	-/30
	1~/3~ TPE [kW]	-/2.2	-/4	-/5.5	-/7.5	-/11	-/15	-/18.5	-/22	-/30
PN	PN 6/10	PN 16	PN 16	PN 16	PN 16	PN 16	PN 16	PN 16	PN 16	
T <sub>min</sub> , T <sub>max</sub>	[°C]	[-25;140]	[-25;120]	[-25;120]	[-25;120]	[-25;120]	[-25;120]	[-25;120]	[-25;120]	
D1	[mm]	100	100	100	100	100	100	100	100	
AC	1~/3~ TP [mm]	-/178	-/220	-/220	-/260	-/314	-/314	-/314	-/407	
	1~/3~ TPE [mm]	-/122	-/191	-/191	-/255	-/255	-/314	-/314	-/407	
AD	1~/3~ TP [mm]	-/110	-/134	-/134	-/159	-/204	-/204	-/204	-/315	
	1~/3~ TPE [mm]	-/158	-/201	-/201	-/237	-/237	-/308	-/308	-/470	
AE	1~/3~ TPE [mm]	-/134	-/146	-/146	-/173	-/173	-/210	-/210	-/126	
AF	1~/3~ TPE [mm]	-/134	-/146	-/146	-/173	-/173	-/210	-/210	-/126	
P	[mm]	-	250	300	300	350	350	350	400	
B1 ★★	[mm]	125/245	156/347	156/347	156/347	190/414	190/414	190/414	201/443	
B2 ★★	[mm]	100/265	124/332	124/332	124/332	151/395	151/395	151/395	173/429	
B3	[mm]	280	470	470	470	470	500	500	500	
B4 ★★	[mm]	-/340	-/481	-/481	-/526	-/541	-	-	-	
C1 ★★	[mm]	160/280	144/480	144/480	144/480	230/550	230/550	230/550	230/550	
C5 ★★	[mm]	225/83	250/104	250/104	250/104	275/110	275/110	275/110	275/110	
C6	[mm]	221	175	175	175	230	230	230	230	
L1	[mm]	450	500	500	500	550	550	550	550	
H1	[mm]	107	140	140	140	140	140	140	140	
H2	[mm]	185	206	245	245	270	270	270	307	
H3	1~/3~ TP [mm]	-/613	-/718	-/776	-/764	-/881	-/881	-/925	-/1058	
	1~/3~ TPE [mm]	-/566	-/680	-/750	-/774	-/816	-/881	-/925	-/1058	
H4	[mm]	-	-	-	-	35	35	35	35	
M		M16	M16	M16	M16	M16	M16	M16	M16	

★ TP, TPD pumps are primarily fitted with IE3 motors. See *Motor data* on page 125.

★★ The dimension before the slash applies to the single-head pump, and the dimension after the slash applies to the twin-head pump.

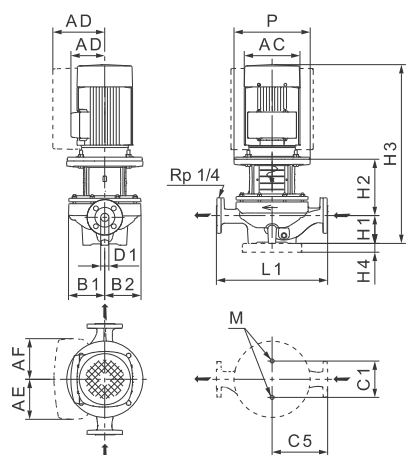
★★★ The integrated CUE can be positioned in an angle deviating from this drawing with up to 30 degrees. For further information look in Grundfos Product Center.

TP 100-XX/2



TM06 6592 4217

Note: All curves apply to single-head pumps. For further information, see page 160.



TM02 8632 2614

### Technical data

TP 100		-530/2	-650/2	-800/2	-950/2	-1040/2	-1200/2	-1410/2
TPD		-	-	-	-	-	-	-
TPE		● ★★★	● ★★★	-	-	-	-	-
TPED		-	-	-	-	-	-	-
Series		300	300	300	300	300	300	300
IEC size	1~ TP	-	-	-	-	-	-	-
	3~ TP	250	250	280	280	315	315	315
	1~ TPE	-	-	-	-	-	-	-
	3~ TPE	250	250	-	-	-	-	-
P2	1~/3~ TP ★ [kW]	/45	/55	/75	/90	/110	/132	/160
	1~/3~ TPE [kW]	/45	/55	-	-	-	-	-
PN		PN25	PN25	PN25	PN25	PN25	PN25	PN25
T <sub>min</sub> :T <sub>max</sub>	[°C]	[-40;150]	[-40;150]	[-40;150]	[-40;150]	[-40;150]	[-40;150]	[-40;150]
D1	[mm]	100	100	100	100	100	100	100
AC	1~/3~ TP [mm]	/442	/495	/555	/555	/610	/610	/610
	1~/3~ TPE [mm]	/442	/495	-	-	-	-	-
AD	1~/3~ TP [mm]	/325	/392	/432	/432	/495	/495	/495
	1~/3~ TPE [mm]	/558	/604	-	-	-	-	-
AE	1~/3~ TPE [mm]	/159	/159	-	-	-	-	-
AF	1~/3~ TPE [mm]	/159	/159	-	-	-	-	-
P	[mm]	450	550	550	550	660	660	660
B1 ★★	[mm]	281/-	281/-	281/-	281/-	281/-	281/-	281/-
B2 ★★	[mm]	246/-	246/-	246/-	246/-	246/-	246/-	246/-
B3	[mm]	-	-	-	-	-	-	-
B4 ★★	[mm]	-	-	-	-	-	-	-
C1 ★★	[mm]	230/-	230/-	230/-	230/-	230/-	230/-	230/-
C5 ★★	[mm]	335/-	335/-	335/-	335/-	335/-	335/-	335/-
C6	[mm]	-	-	-	-	-	-	-
L1	[mm]	670	670	670	670	670	670	670
H1	[mm]	175	175	175	175	175	175	175
H2	[mm]	333	338	338	338	366	366	366
H3	1~/3~ TP [mm]	/1220	/1330	/1333	/1443	/1473	/1633	/1633
	1~/3~ TPE [mm]	/1220	/1330	-	-	-	-	-
H4	[mm]	35	35	35	35	35	35	35
M		M16	M16	M16	M16	M16	M16	M16

★ TP, TPD pumps are primarily fitted with IE3 motors. See *Motor data* on page 125.

★★ The dimension before the slash applies to the single-head pump, and the dimension after the slash applies to the twin-head pump.

★★★ The integrated CUE can be positioned in an angle deviating from this drawing with up to 30 degrees. For further information look in Grundfos Product Center.