



PUMPIRAN



راهنمای انتخاب پمپ‌های عمودی طبقاتی استیل

PCR

Vertical Multi Stage Steel Pumps

50 Hz

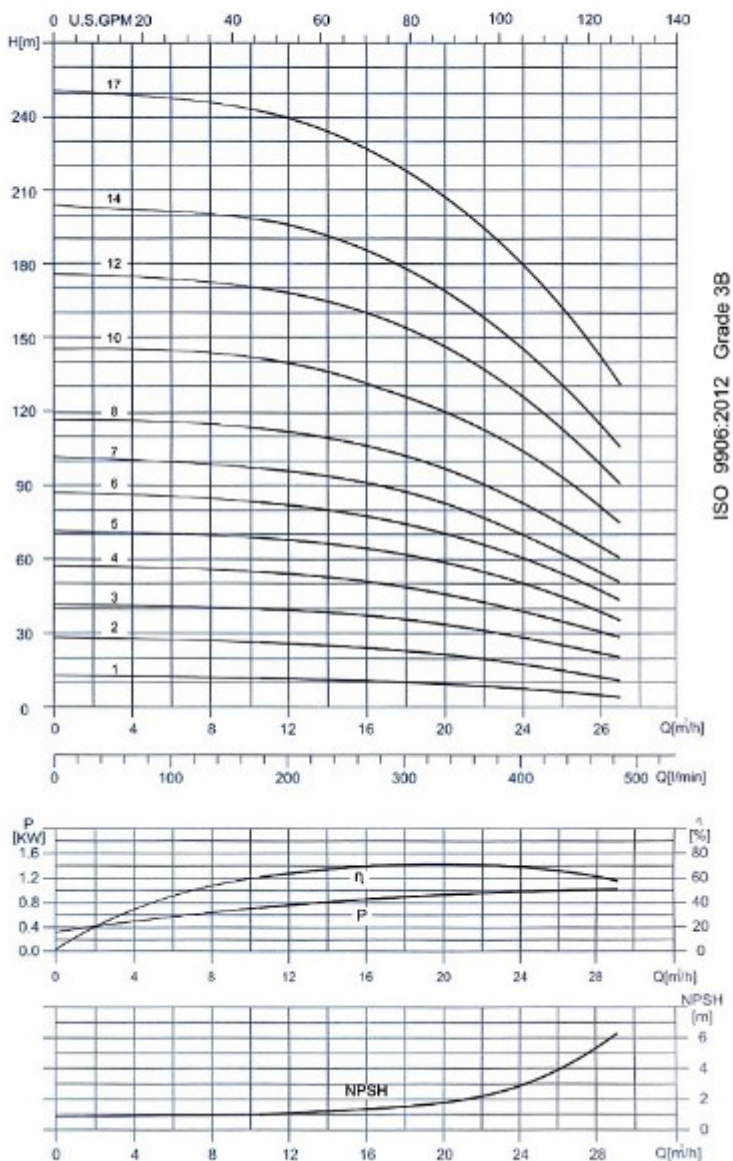


Vertical Multistage Centrifugal in - line Pump

Maximum operating and inlet pressures

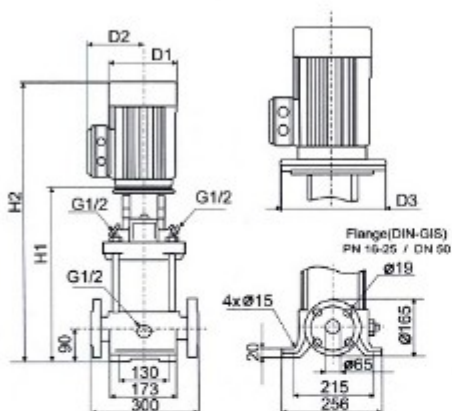
Pump size	Stages	Maximum Operating Pressure	Stage	Maximum Inlet Pressure
PCR 1	2-36	25bar	2-36	10bar
PCR 3	2-36	25bar	2-29	10bar
			31-36	15bar
PCR 5	2-36	25bar	2-16	10bar
			18-36	15bar
PCR 10	1-16	16bar	1-6	8bar
	17-22	25bar	7-22	10bar
PCR 15	1-10	16bar	1-3	8bar
	12-17	25bar	4-17	10bar
PCR 20	1-10	16bar	1-3	8bar
	12-17	25bar	4-17	10bar
PCR 32	(1-1)-7	16bar	(1-1)-4	4bar
	(8-2)-14	30bar	(5-2)-10 (11-2)-14	10bar 15bar
PCR 45	(1-1)-5	16bar	(1-1)-2	4bar
	(6-2)-11	30bar	(3-2)-5	10bar
	(12-2)-(13-2)	33bar	(6-2)-(13-2)	15bar
PCR 64	(1-1)-5	16bar	(1-1)-(2-2)	4bar
	(6-2)-(8-1)	30bar	(2-1)-(4-2)	10bar
			(4-1)-(8-1)	15bar
PCR 90	(1-1)-4	16bar	(1-1)-1	4bar
	(5-2)-6	30bar	(2-2)-(3-2)	10bar
			3-6	15bar
PCR 120	1-7	30bar	1-(2-1)	10bar
			2-(5-1)	15bar
			(6-1)-7	20bar
PCR 150	(1-1)-6	30bar	(1-1)-1	10bar
			(2-1)-(4-1)	15bar
			(5-2)-6	20bar

*Rule to follow: The inlet pressure + the pressure against a closed valve < Max. Operating pressure



Vertical Multistage Centrifugal in - line Pump

Dimensions and weights - PCR 20



General Specification

Output size:	25 to 125 mm
Capacity:	0.7-180 m ³ /hr
Head:	275 m
Operation Temperature:	-15 to +120
Main Connection (1-[v/Hz]):	220-240 V, 50 Hz
Main Connection (3-[v/Hz]):	380-415 V, 50 Hz
Insulation Class:	F
Enclosure Class:	IP 55
Ambient Temperature:	50°C

Pump type	Motor		Pump Flanges (mm)	PCR					Net weight (kg)
	P [kW]	rpm		Dimension(mm)					
				H1	H2	D1	D2	D3	DIN flange
PCR 20-1	1.1	2900	50	400	636	141	115	-	43.9
PCR 20-2	2.2			415	708	177	141	-	55.7
PCR 20-3	4			465	795	220	161	-	68.3
PCR 20-4	5.5			542	910	235	197	300	99.4
PCR 20-5	5.5			587	955	235	197	300	100.8
PCR 20-6	7.5			632	1038	235	197	300	108.6
PCR 20-7	7.5			677	1083	235	197	300	110.1
PCR 20-8	11			799	1315	318	245	350	147.1
PCR 20-10	11			889	1405	318	245	350	150.0
PCR 20-12	15			979	1504	318	245	350	163.1
PCR 20-14	15			1069	1594	318	245	350	166.0
PCR 20-17	18.5			1204	1773	318	245	350	195.4